



FIBER OPTIC GYROSCOPES



www.memsmag.com

GF50-A/B/C TACTICAL GRADE

Single Axis Fiber Optic Gyroscope



Zero Bias Stability	0.1~0.3°/hr(1 σ ,10s)
Zero Bias Repeatability	0.1~0.3°/hr(1 σ)
Full Temperature Zero Bias Repeatability	0.3~1°/hr(1 σ)
Random Walk Coefficient	0.01~0.02 °/ \sqrt{h}
The Scale Factor of Nonlinearity.....	50~100ppm (1 σ)
The Scale Factor of Repeatability.....	50~100ppm (1 σ)
Dynamic Range.....	$\pm 500^\circ/s$
Magnetic Field Sensitivity.....	0.1°/hr/Gs
Vibration Conditions.....	4.2g, 20~2000Hz
Size.....	$\Phi 50*36.5mm$
Weight.....	130g



GF60-A/B/C TACTICAL GRADF

Single Axis Fiber Optic Gyroscope



Zero Bias Stability	0.05~0.2°/hr(1 σ ,10s)
Zero Bias Repeatability	0.05~0.2°/hr(1 σ)
Full Temperature Zero Bias Repeatability	0.3~1°/hr(1 σ)
Random Walk Coefficient	0.005~0.02 °/ \sqrt{h}
The Scale Factor of Nonlinearity.....	50~100ppm (1 σ)
The Scale Factor of Repeatability.....	50~100ppm (1 σ)
Dynamic Range.....	\pm 500°/s
Magnetic Field Sensitivity.....	0.1°/hr/Gs
Vibration Conditions.....	4.2g, 20~2000Hz
Size.....	Φ 60*29.5mm
Weight.....	150g



GF70ZK-A/B TACTICAL GRADE

Single Axis Fiber Optic Gyroscope



Zero Bias Stability	0.03~0.05°/hr(1 σ , 10s)
Zero Bias Repeatability	0.02°/hr(1 σ)
Random Walk Coefficient	0.003~0.005 °/ \sqrt{h}
The Scale Factor of Nonlinearity.....	10ppm (1 σ)
The Scale Factor of Repeatability.....	10~20ppm (1 σ)
Full Temperature Scale Factor of Repeatability	200~300ppm(1 σ)
Dynamic Range.....	$\pm 500^\circ/s$
Magnetic Field Sensitivity.....	0.02°/hr/Gs
Vibration Conditions.....	4.2g, 20~2000Hz
Size.....	$\Phi 70*32mm$
Weight.....	250g



GF80-A/B TACTICAL GRADE

Single Axis Fiber Optic Gyroscope



Zero Bias Stability	0.01~0.02°/hr(1σ, 10s)
Zero Bias Repeatability	0.01~0.02°/hr(1σ)
Random Walk Coefficient	0.005 °/√h
The Scale Factor of Nonlinearity.....	10ppm (1σ)
The Scale Factor of Repeatability.....	10~20ppm (1σ)
Full Temperature Scale Factor of Repeatability	100~150ppm(1σ)
Dynamic Range.....	±500°/s
Magnetic Field Sensitivity.....	0.02°/hr/Gs
Vibration Conditions.....	4.2g, 20~2000Hz
Size.....	Φ80*33mm
Weight.....	350g



GF98H-A/B/C/D TACTICAL GRADE

Single Axis Fiber Optic Gyroscope



Zero Bias Stability	0.01~0.015°/hr(1 σ , 10s)
Zero Bias Repeatability	0.01~0.015°/hr(1 σ)
Random Walk Coefficient	0.001~0.002 °/√h
The Scale Factor of Nonlinearity.....	10ppm (1 σ)
The Scale Factor of Repeatability.....	10~20ppm (1 σ)
Full Temperature Scale Factor of Repeatability	50~200ppm(1 σ)
Dynamic Range.....	±500°/s
Magnetic Field Sensitivity.....	0.02°/hr/Gs
Vibration Conditions.....	4.2g, 5~500Hz
Size.....	Φ98*35mm
Weight.....	540g

GF120H-A/B/C NAVIGATION GRADE

Single Axis Fiber Optic Gyroscope



Zero Bias Stability	0.006~0.01°/hr(1 σ , 10s)
Zero Bias Repeatability	0.002~0.004°/hr(1 σ)
Random Walk Coefficient	0.001~0.002 °/√h
The Scale Factor of Nonlinearity.....	10ppm (1 σ)
The Scale Factor of Repeatability.....	10ppm (1 σ)
Full Temperature Scale Factor of Repeatability	50~100ppm(1 σ)
Dynamic Range.....	±500°/s
Magnetic Field Sensitivity.....	0.02°/hr/Gs
Vibration Conditions.....	4.2g, 20~500Hz
Size.....	Φ120*38mm
Weight.....	850g

GF2X64-A/B TACTICAL GRADE

Dual Axis Fiber Optic Gyroscope



Zero Bias Stability	0.5~1.0°/hr(1 σ , 10s)
Zero Bias Repeatability	0.5~1.0°/hr(1 σ)
Full Temperature Zero Bias Repeatability	0.5~1.0°/hr(1 σ)
Random Walk Coefficient	0.05 °/ \sqrt{h}
The Scale Factor of Nonlinearity.....	30~50ppm (1 σ)
The Scale Factor of Repeatability.....	50~100ppm (1 σ)
Dynamic Range.....	\pm 400°/s
Magnetic Field Sensitivity.....	0.2~0.5°/hr/Gs
Vibration Conditions.....	4.2g, 20~2000Hz
Size.....	64*60*42mm
Weight.....	300g

GF2X70-A/B TACTICAL GRADE

Dual Axis Fiber Optic Gyroscope



Zero Bias Stability	0.1~0.2°/hr(1σ, 10s)
Zero Bias Repeatability	0.1~0.2°/h(1σ)
Full Temperature Zero Bias Repeatability	0.1~0.5°/hr(1σ)
Random Walk Coefficient	0.02 °/√h
The Scale Factor of Nonlinearity	20~50ppm (1σ)
The Scale Factor of Repeatability	20~50ppm (1σ)
Dynamic Range	±400°/s
Magnetic Field Sensitivity	0.2~0.5°/hr/Gs
Vibration Conditions	4.2g, 20~2000Hz
Size	70*70*43mm
Weight	360g





GF3G70-A/B/C TACTICAL GRADE

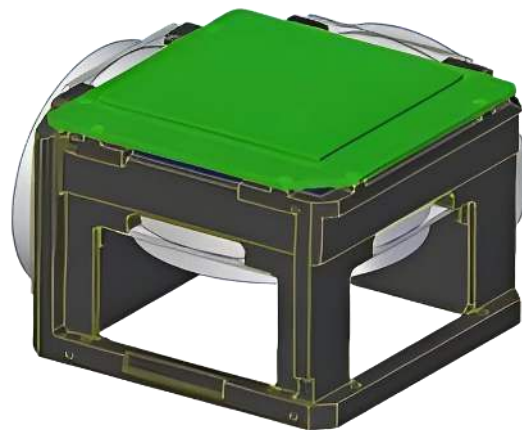
Tri Axis Fiber Optic Gyroscope



Zero Bias Stability	0.02~0.05°/hr(1σ,10s)
Zero Bias Repeatability	0.03~0.05°/hr(1σ)
Full Temperature Scale Factor of Repeatability	1000ppm(1σ)
The Scale Factor of Nonlinearity.....	20ppm (1σ)
The Scale Factor of Repeatability.....	20ppm (1σ)
Dynamic Range.....	±300°/s
Magnetic Field Sensitivity.....	0.005°/hr/Gs
Vibration Conditions.....	4.2g, 20~2000Hz
Size (Circuit box).....	60*60*24mm
(Sensor head).....	Φ67*17.5mm
Weight.....	800g

GF3G75 NAVIGATION GRADE

Tri Axis Fiber Optic Gyroscope



Zero Bias Stability	0.01°/hr(1 σ , 10s)
Zero Bias Repeatability	0.01°/hr(1 σ)
Threshold.....	0.001 °/ \sqrt{h}
The Scale Factor of Nonlinearity.....	5ppm (1 σ)
The Scale Factor of Repeatability.....	15ppm (1 σ)
Full Temperature Scale Factor of Repeatability	<50ppm
Dynamic Range.....	$\pm 600^\circ/s$
Magnetic Field Sensitivity.....	0.02°/hr/Gs
Vibration Conditions.....	6.06grms, 20~2000Hz
Size.....	98*98*80mm
Weight.....	900g



GF3G90-A/B/C NAVAGATIONAL GRADE

Tri Axis Fiber Optic Gyroscope



Zero Bias Stability	0.006~0.015°/hr(1 σ ,10s)
Zero Bias Repeatability	0.003°/hr(1 σ)
Full Temperature Scale Factor of Repeatability	1000ppm(1 σ)
The Scale Factor of Nonlinearity.....	10ppm (1 σ)
The Scale Factor of Repeatability.....	10ppm (1 σ)
Dynamic Range.....	$\pm 300^\circ/s$
Magnetic Field Sensitivity.....	0.005°/hr/Gs
Vibration Conditions.....	4.2g, 20~2000Hz
Size (Circuit box).....	88*88*28mm
(Sensor head).....	$\phi 90*25mm$
Weight.....	1300g

GF3X35 TACTICAL GRADE

Tri-Axis Fiber Optic Gyroscope



Zero Bias Stability	0.3°/hr(1 σ ,10s)
Zero Bias Repeatability	0.3°/hr(1 σ)
Full Temperature Scale Factor of Repeatability	200ppm(1 σ)
Threshold.....	0.5 °/√h
The Scale Factor of Nonlinearity.....	50ppm (1 σ)
The Scale Factor of Repeatability.....	50ppm (1 σ)
Dynamic Range.....	±500°/s
Magnetic Field Sensitivity.....	0.1°/hr/Gs
Vibration Conditions.....	4.2g, 20~2000Hz
Size.....	55*50*56mm
Weight.....	270g



GF3X70-A/B/C TACTICAL GRADE

Tri Axis Fiber Optic Gyroscope



Zero Bias Stability	0.1~0.15°/hr(1σ, 10s)
Zero Bias Repeatability	0.03~0.05°/hr(1σ)
Threshold.....	0.01 °/√h
The Scale Factor of Nonlinearity.....	20 (1σ)
The Scale Factor of Repeatability.....	20ppm (1σ)
Full Temperature Scale Factor of Repeatability	1000ppm(1σ)
Dynamic Range.....	±300°/s
Magnetic Field Sensitivity.....	0.005°/hr/Gs
Vibration Conditions.....	4.2g, 20~2000Hz
Size.....	Φ70*60mm
Weight.....	800g

GF3X80-H/M TACTICAL GRADE

Tri-Axis Fiber Optic Gyroscope



Zero Bias Stability	0.3~0.5°/hr(1 σ , 10s)
Zero Bias Repeatability	0.3~0.5°/hr(1 σ)
Threshold.....	0.5 °/ \sqrt{h}
The Scale Factor of Nonlinearity.....	20~30ppm (1 σ)
The Scale Factor of Repeatability.....	30~50ppm (1 σ)
Full Temperature Scale Factor of Repeatability	1000ppm(1 σ)
Dynamic Range.....	$\pm 500^\circ/s$
Magnetic Field Sensitivity.....	0.1°/hr/Gs
Vibration Conditions.....	4.2g, 20~2000Hz
Size.....	$\Phi 80*70mm$
Weight.....	680g





GF3X90-H/M NAVIGATION GRADE

Tri Axis Fiber Optic Gyroscope

Zero Bias Stability	0.1~0.2°/hr(1 σ , 10s)
Zero Bias Repeatability	0.1~0.2°/hr(1 σ)
Threshold.....	0.2 °/ \sqrt{h}
The Scale Factor of Nonlinearity.....	30~50ppm (1 σ)
The Scale Factor of Repeatability.....	30~50ppm (1 σ)
Full Temperature Scale Factor of Repeatability	1000ppm(1 σ)
Dynamic Range.....	$\pm 500^\circ/s$
Magnetic Field Sensitivity.....	0.005°/hr/Gs
Vibration Conditions.....	4.2g, 20~2000Hz
Size.....	$\Phi 90*70mm$
Weight.....	780g

GF3X100-H/M NAVIGATIONAL GRADE

Tri Axis Fiber Optic Gyroscope



Zero Bias Stability	0.05~0.1°/hr(1 σ ,10s)
Zero Bias Repeatability	0.05~0.1°/hr(1 σ)
Full Temperature Scale Factor of Repeatability	1000ppm(1 σ)
Threshold.....	0.1 °/ \sqrt{h}
The Scale Factor of Nonlinearity.....	20ppm (1 σ)
The Scale Factor of Repeatability.....	30ppm (1 σ)
Dynamic Range.....	$\pm 500^\circ/s$
Magnetic Field Sensitivity.....	0.1°/hr/Gs
Vibration Conditions.....	4.2g, 20~2000Hz
Size.....	100*100*95mm
Weight.....	950g

GF3X112-A/B/C NAVIGATION GRADE

Tri Axis Fiber Optic Gyroscope



Zero Bias Stability	0.05~0.2°/hr(1 σ , 10s)
Zero Bias Repeatability	0.05~0.2°/hr(1 σ)
Threshold.....	0.5 °/ \sqrt{h}
The Scale Factor of Nonlinearity.....	20~50ppm (1 σ)
The Scale Factor of Repeatability.....	20~50ppm (1 σ)
Full Temperature Scale Factor of Repeatability	1000ppm(1 σ)
Dynamic Range.....	$\pm 500^\circ/s$
Magnetic Field Sensitivity.....	0.01°/hr/Gs
Vibration Conditions.....	4.2g, 20~2000Hz
Size.....	$\Phi 112*100mm$
Weight.....	450g

GF3X42-A/B TACTICAL GRADE

Tri Axis Fiber Optic Gyroscope



Zero Bias Stability	0.3~0.1°/hr(1 σ ,10s)
Zero Bias Repeatability	0.1°/hr(1 σ)
Full Temperature Scale Factor of Repeatability	50ppm(1 σ)
The Scale Factor of Nonlinearity.....	50ppm (1 σ)
The Scale Factor of Repeatability.....	50ppm (1 σ)
Dynamic Range.....	\pm 500°/s
Magnetic Field Sensitivity.....	0.1°/hr/Gs
Vibration Conditions.....	4.2g, 20~2000Hz
Size.....	76*73*46mm
Weight.....	310g





The Leader in China Inertial Sensor Market



+8618151836753



+86-18621961329



sales@memsmag.com



Huaye Tech Park, Binjiang, Hangzhou, China



www.memsmag.com



Unmanned Aerial Vehicles



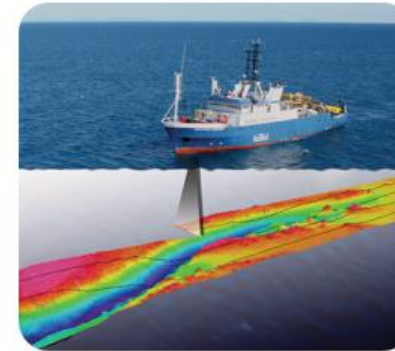
Satellites



Autonomous Vehicles



Remotely Operated Underwater Vehicles



Maritime Echosounder Application



Petroleum Extraction and Exploration