

DANTHERMGROUP



HVAC SOLUTIONS FOR HUMANITARIAN AND DEFENCE

MOBILE HEATING AND MOBILE AIR-CONDITIONING

Dantherm[®]
CLIMATE SOLUTIONS

MASTER[®]
CLIMATE SOLUTIONS



About the Dantherm Group

Dantherm Group is a European leader in portable and installed climate control solutions for a wide range of industries and uses. Based on the heritage of the variety of brands we own, our climate control experts build and manufacture hundreds of thousands of exceptional heating, cooling, dehumidification, air cleaning and ventilation units in our own factories in Europe every year.

All of them are designed to create healthy and comfortable climate surroundings in a sustainable, energy-efficient and cost-effective way.

Why partner with us

- ✓ European design quality
- ✓ Experts in climate control
- ✓ Extensive range of solutions



INDEX

Fuel-fired indirect heaters	4
Container coolers	14
Mobile air-conditioners	23
Portable evaporative coolers	42
Accessories	45

Humanitarian and Defence

Our climate control solutions have supported military and humanitarian field camps for over 35 years, becoming the NATO standard for field deployable mobile heating, cooling and drying units with more than 30.000 deployed climate controlled units. Complying with advanced NATO requirements, as well as ISO 9001 and 14001 standards, we work closely with tent and container suppliers to develop site-specific solutions that allow military camps, field hospitals and more to function in all conditions.



Discover our climate solutions

danthermgroup.com



FH 20



FH 20 (bronze)



FH 20
(customized colour)



- Will operate at temperatures down to -40°C
- Creates a comfortable working temperature
- Keeps equipment and means of transport such as helicopters warm and ready for use, reducing wear and tear and ensuring quicker response times
- Reliable and easy to maintain
- Easy to transport and handle
- Can be set up by one person without the use of tools, and is easy to operate
- Developed in close collaboration with the armed forces of NATO countries
- Ideal for open air operation with ducted supply and return air
- Adjustable fresh-air intake
- CO-Monitor as optional accessory
- Large built-in fuel tank - more than 24h heating
- The efficient multi-liquid burner - compatible with all NATO fuels and biodiesel HVO100
- New innovative 2 stage burning principle, which reduces energy consumption, creates a more comfortable room temperature and reduces wear and tear
- CE-marked
- Registered NSN numbers

Optional accessories



Insulated flexible air duct nylon, black
Ø350mm x 3m
4515.371



Air distribution ducts, black
Ø350mm x 5m
4515.380



Forklift pockets
4035.740



Stacking frame
4035.741



Consumables pack
4519.021



Remote CO sensor with cable
15m - 025432



Digital remote thermostat TH M with cable
15m - 4035.555

Product variants



Bronze
Unit with built-in wheels



Silver
Bronze package + forklift pockets



Gold
Silver package + stackable frame

The heaters are based on the in-direct fired (clean air) principle to avoid introducing combustion or fumes into occupied spaces. Specifically developed to provide heating in tents or other temporary and transportable buildings, the FH air heaters are suitable for outside installation with supply and return air ducted to the tent or temporary building.



Specifications	Units	FH 20	
		Imperial	Metric
Registered NSN number	-	Yes	Yes
Operating range	°F/°C	-40 to +86	-40 to +30
Heat output - step 1/step 2	BTU/kW	71,650 / 92,000	21/27
Efficiency	%	88	88
Air flow	CFM/m ³ /h	1,068	1,815
Fresh air volume	CFM/m ³ /h	0-206	0-350
Fuel consumption - step 1/step 2	lbs/kg/h	3.5/4.6	1.6/2.1
Autonomy	h	31	31
Rated current	A	3.8	3.8
Power supply	V/Hz	120/1ph/60	120/1ph/60
Duct connection (1x)	Øin/mm	13.8	350
Ducting recirculation (1x)	Øin/mm	13.8	350
Operation above sea level	ft/m	9,842	3,000
Tank capacity	gal/l	17	65
IP-grade electrical parts	NEMA/IP	3R	IP44
Sound level	dB(A)	74	74
CE & Safety		CE	CE
Height with chimney installed	in/mm	86.6	2,200
Product size (l x w x h) - Bronze variant	in/mm	57 x 24 x 38	1,458 x 614 x 966
Weight - Bronze variant	lbs/kg	209	95
Weight - Silver variant	lbs/kg	240	109
Weight - Gold variant	lbs/kg	254	115

FH 40



FH 40 (silver)



- Will operate at temperatures down to -40°C
- Creates a comfortable working temperature
- Keeps equipment and means of transport such as helicopters warm and ready for use, reducing wear and tear and ensuring quicker response times
- Reliable and easy to maintain
- Easy to transport and handle
- Can be set up by one person without the use of tools, and is easy to operate
- Developed in close collaboration with the armed forces of NATO countries
- Ideal for open air operation with ducted supply and return air
- Adjustable fresh-air intake
- CO-Monitor as optional accessory
- Large built-in fuel tank - more than 24h heating
- The efficient multi-liquid burner - compatible with all NATO fuels and biodiesel HVO100
- New innovative 2 stage burning principle, which reduces energy consumption, creates a more comfortable room temperature and reduces wear and tear
- CE-marked
- Registered NSN numbers

Optional accessories



Insulated flexible air duct nylon, black
Ø400mm x 3m
4515.372



Air distribution ducts, black
Ø400mm x 7m
4515.381



Forklift pockets
4035.738



Stacking frame
4035.739



Consumables pack
4519.022



Remote CO sensor with cable
15m
025432



Digital remote thermostat TH M with cable
15m
4035.555

FH 40

Product variants



Bronze
Unit with built-in wheels



Silver
Bronze package + forklift pockets



Gold
Silver package + stackable frame

The heaters are based on the in-direct fired (clean air) principle to avoid introducing combustion or fumes into occupied spaces. Specifically developed to provide heating in tents or other temporary and transportable buildings, the FH air heaters are suitable for outside installation with supply and return air ducted to the tent or temporary building.



Specifications	Units	FH 40	
		Imperial	Metric
Registered NSN number	-	Yes	Yes
Operating range	°F/°C	-40 to +86	-40 to +30
Heat output - step 1/step 2	BTU/kW	122,850/167,200	36/49
Efficiency	%	88.6	88.2
Air flow	CFM/m ³ /h	1,504	2,555
Fresh air volume	CFM/m ³ /h	0-294	0-500
Fuel consumption - step 1/step 2	lbs/kg/h	6.4/8.6	2.9/3.9
Autonomy	h	23.5	23.5
Max. current	A	4.2	4.2
Power supply	V/Hz	120/1ph/60	120/1ph/60
Duct connection (1x)	Øin/mm	15.7	400
Ducting recirculation (1x)	Øin/mm	15.7	400
Operation above sea level	ft/m	9,842	3,000
Tank capacity	gal/l	28	105
IP-grade electrical parts	NEMA/IP	3R	IP44
Sound level	dB(A)	70	74
CE & Safety		CE	CE
Height with chimney installed	in/mm	86.6	2,200
Product size (l x w x h) - Bronze variant	in/mm	68 x 28 x 41	1,723 x 718 x 1,039
Weight - Bronze variant	lbs/kg	275	125
Weight - Silver variant	lbs/kg	313	142
Weight - Gold variant	lbs/kg	331	150

VA-M15 MKII



VA-M15 MKII



VA-M15 MKII (side view)



- Can operate at temperatures down to -40°C
- Creates a comfortable working environment
- Keeps equipment and means of transport such as helicopters warm and ready for use, reducing wear and tear and ensuring quicker response times
- Reliable and easy to maintain
- Easy to transport, even over ice and snow
- Can be set up by one person without the use of tools, and is easy to operate
- Developed in close collaboration with the armed forces of NATO countries
- Chosen as the NATO standard, conforming to all NATO requirements and norms
- All units are allocated NATO stock numbers (NSN)
- Ideal for open air operation with ducted supply and return air
- Adjustable fresh-air intake
- The efficient multi-liquid burner accepts almost all diesel fuels

Optional accessories



Remote thermostat with cable
15m
018668



Remote CO sensor with cable
15m
025432



Insulated flexible air duct with spigot
Ø225mm x 3m
295030



Storage bag for flexible duct
Ø225mm
428436



Air distribution ducts
Ø225mm x 6m
295331



Alternative fuel lance for oil drum
293766

VA-M15 MKII



Specifications	Units	VA-M15 MKII	
		Imperial	Metric
Registered NSN number	-	Yes	Yes
Operating temperature range	°F /°C	-40 to 86	-40 – +30
Heat output	BTU/kW	61,400	18
Air flow	CFM/ m ³ /h	636	1,080
Sound level @ 1.5m	dB(A)	60	60
Protection class	NEMA/IP	3R	IPX4
Max. fuel consumption	lbs- l/h	3.7	2.0
Power supply	V/Hz	230/1ph/50	230/1ph/50
Max. power consumption	W	1,000	1,000
Air discharge temperature	°F/°C	176	80
Flex duct connection	Øin /mm	8.6	225
Product size (h x l x w)	in/mm	23.82 x 53.54 x 19.29	605 x 1360 x 490
Weight	lbs/kg	205	93

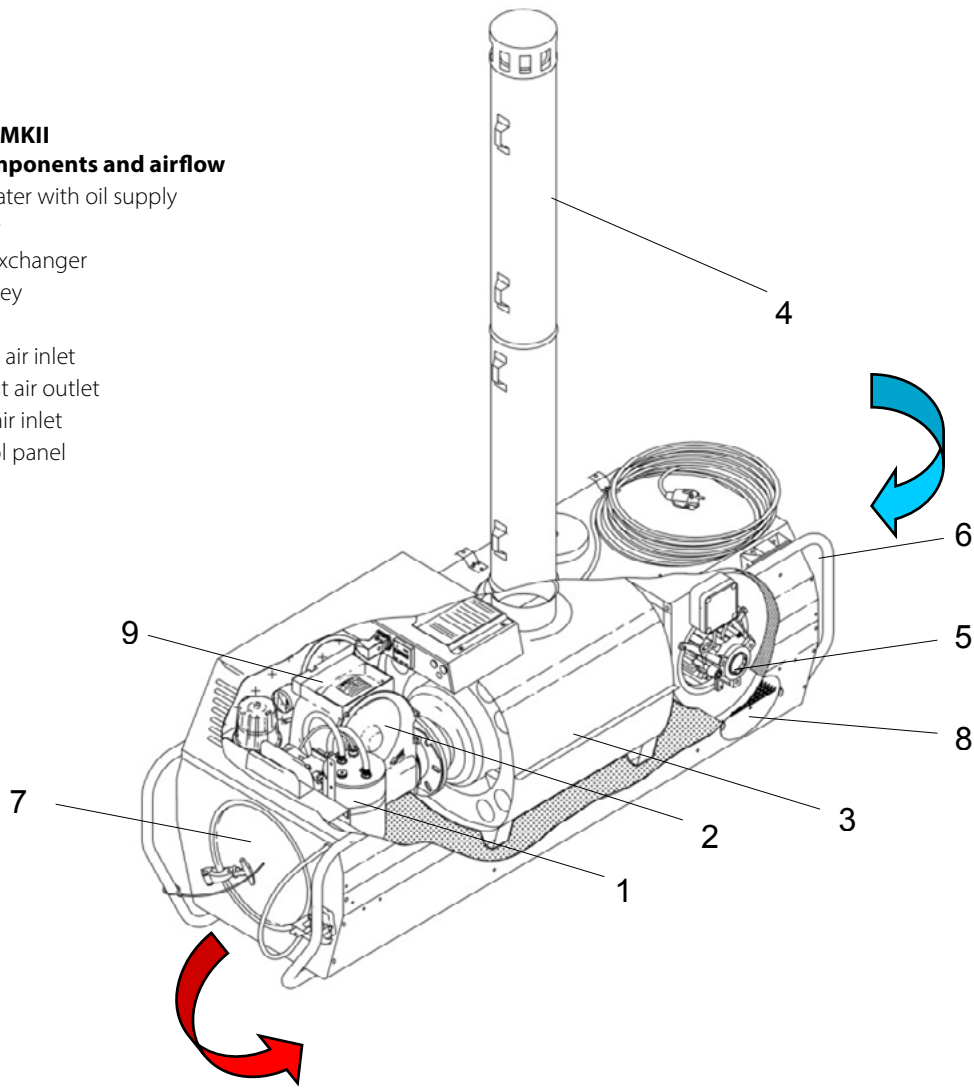
VA-M15 MKII



VA-M15 MKII

Unit components and airflow

- 1. Pre heater with oil supply
- 2. Burner
- 3. Heat exchanger
- 4. Chimney
- 5. Fan
- 6. Return air inlet
- 7. Exhaust air outlet
- 8. Fresh air inlet
- 9. Control panel



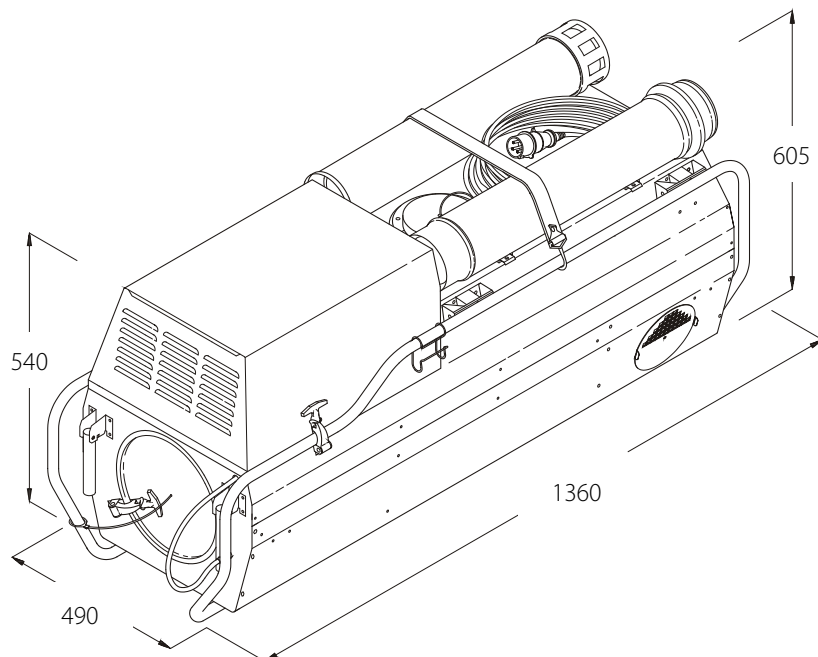
Power supply plug



or CEE 16A



VA-M15 MKII dimensions in mm



VA-M40 MKII



VA-M40 MKII



- Can operate at temperatures down to -40°C
- Creates a comfortable working environment
- Keeps equipment and means of transport such as helicopters warm and ready for use, reducing wear and tear and ensuring quicker response times
- Reliable and easy to maintain
- Easy to transport, even over ice and snow
- Can be set up by one person without the use of tools, and is easy to operate
- Developed in close collaboration with the armed forces of NATO countries
- Chosen as the NATO standard, conforming to all NATO requirements and norms
- All units are allocated NATO stock numbers (NSN)
- Ideal for open air operation with ducted supply and return air
- Adjustable fresh-air intake
- The efficient multi-liquid burner accepts almost all diesel fuels

Optional accessories



Remote thermostat with cable
15m
018668



Remote CO sensor with cable
15m
025432



Insulated flexible air duct with spigot
Ø225mm x 3m
295030



Storage bag for flexible duct
Ø225mm
428436



Air distribution ducts
Ø225mm x 6m
295331



Alternative fuel lance for oil drum
293766

VA-M40 MKII



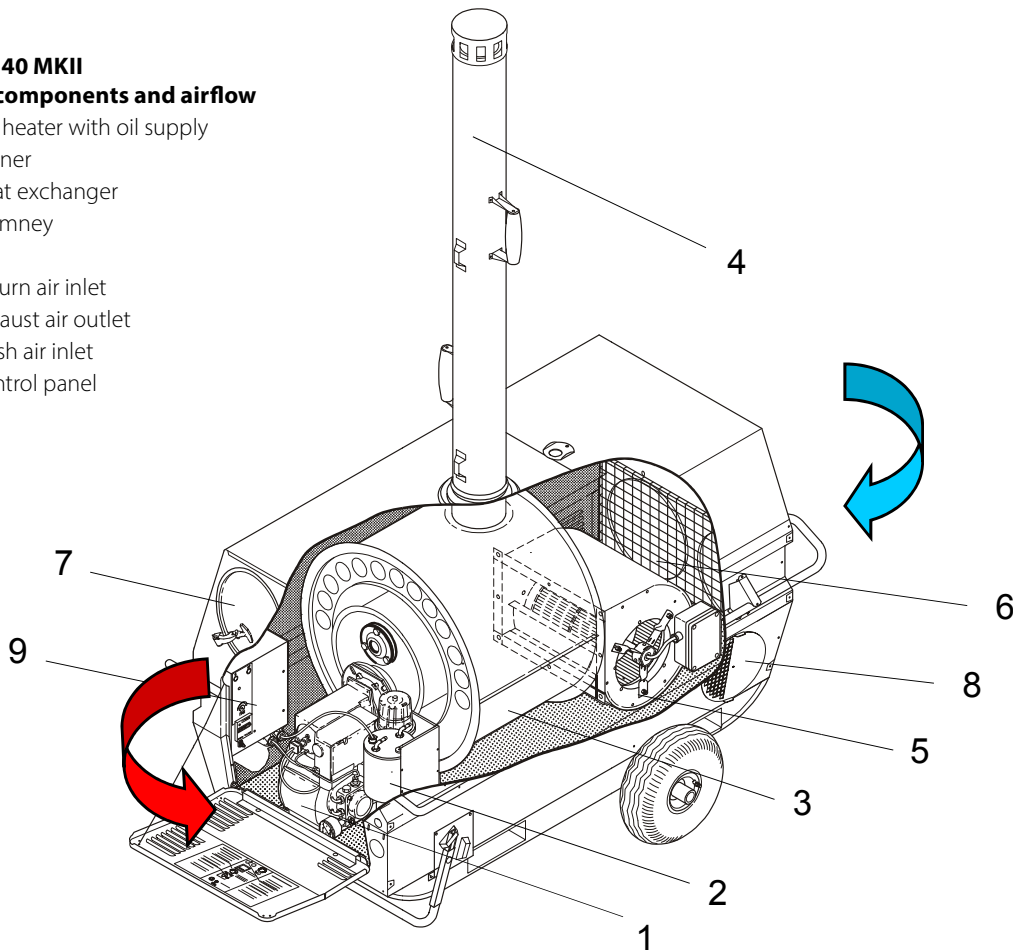
Specifications	Units	VA-M40 MKII	
		Imperial	Metric
Registered NSN number	-	Yes	Yes
Operating temperature range	°F/°C	-40 to +86	-40 to +30
Heat output	BTU/kW	129,600	38
Air flow	CFM/m ³ /h	1,251	2,125
Sound level @ 1.5m/5 feet	dB(A)	60	60
Protection class	NEMA/IP	3R	IPX4
Max. fuel consumption	lbs/l/h	7.7	4.2
Power supply	V/Hz	230/1ph/50	230/1ph/50
Max. power consumption	W	1.055	1,055
Air discharge temperature	°F/°C	176	80
Flex duct connection	Øin/mm	8.6	225
Product size (h x l x w)	in/mm	35 x 55.1 x 27.6	890 x 1,400 x 700
Weight	lbs /kg	306	139

VA-M40 MKII



VA-M40 MKII Unit components and airflow

- 1. Pre heater with oil supply
- 2. Burner
- 3. Heat exchanger
- 4. Chimney
- 5. Fan
- 6. Return air inlet
- 7. Exhaust air outlet
- 8. Fresh air inlet
- 9. Control panel



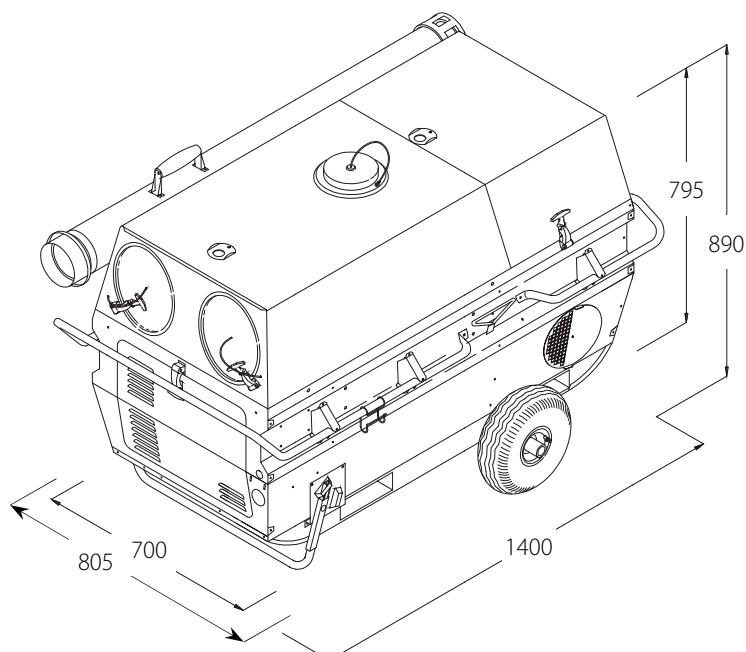
Power supply plug



or CEE 16A



VA-M40 MKII dimensions in mm





AC-M5 MKI

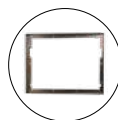


- Designed for window mounting in ISO containers
- Manufactured from hot dip galvanized and powder coated steel sheet
- Top finish painting is standard NATO green RAL6014, RAL6031 and other colors on request
- Can provide cooling at ambient temperatures up to +60°C
- Scroll compressor for high degree of reliability and low noise
- HP pressostat switching off the unit at too high ambient temperatures
- Easily controlled by a room thermostat placed inside the container
- Two speed selector for the internal fan
- "VENT-only" option, allowing ventilation without cooling
- Optional heating
- Built-in fresh air intake
- Coarse filters in front of internal air intake as well as in front of external air intake and fresh air intake
- During transport the AC-M5 is stored inside the container
- CE-marked
- ErP 2015 compliant


Optional accessories



Trap door system
322007



Welding frame for corrugated container
019502

 In the standard version this unit is equipped with an optional electric heating element to warm up the internal air during cold start or cold environment.

Container cooling

AC-M5 MKI

The AC-M5 is designed for window mounting in ISO containers. Together with the trap door system the air conditioner is mounted inside the container. It is designed to store within the confinement of the ISO corners of the container during transportation, or storage.

For operation the AC-M5 is pushed out from the container in the trapdoor system. Once deployed the unit is locked from inside the container when operating.



AC-M5 MKI-Control panel



Container installation - inside view

Specifications	Units	AC-M5 MKI (50 Hz)	
		Imperial	Metric
Registered NSN number	-	Yes	Yes
Operating temperature range, cooling	°F/°C	+68 to +122	+20 to +60
Operating temperature range, heating	°F/°C	-26 to +68	-32 to +20
Airflow, internal, step I / II	CFM/m ³ /h	247/412	420/700
Airflow, fresh air intake, step I / II	CFM/m ³ /h	21/35	37/60
Airflow, external	CFM/m ³ /h	824	1,400
Sound level, fan-speed 1 & 2 @ 3.3 feet/1m	dB(A)	56 / 62	56 / 62
Protection class	NEMA/IP	3R	IPX4
Refrigerant	Type/lbs/kg	R134a/3.1	R134a/1.4
Global Warning Potential	AR4	1,430	1,430
Max. Cooling capacity	BTU/kW	16,720	4.9
Cooling capacity @ 55/55°C 30% r.h.	BTU/kW	15,696	4.6
Cooling capacity @ 35/35°C 30% r.h.	BTU/kW	12,283	3.6
Heating capacity (optional)	BTU/kW	6,824	2
Power supply	V/Hz	230/1ph/50	230/1ph/50
Power supply plug		Schuko plug	Schuko plug
Max. Amp	A	9.8	9.8
Locked rotor amperage (LRA)	A	47	47
Max. power consumption cooling	W	2,300	2,300
Filter material		PPI 15	PPI 15
Product size (h x l x w)	in/mm	19 x 29.7 x 26.2	482 x 755 x 666
Weight net/with trap door system	lbs/kg	176 / 209	80 / 95

Container cooling AC-M5 MKI

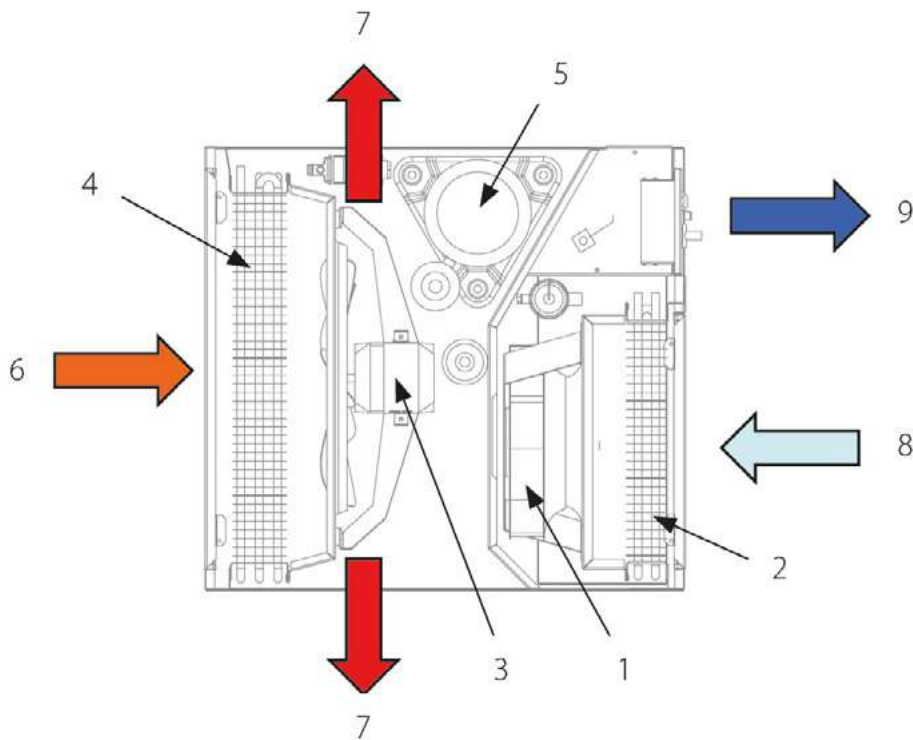


The function of the AC-M5 is based on a cooling circuit with two powerful fans. The evaporator (inside the container) section contains the evaporator core and a radial fan, which cycles the warm internal air from the shelter through the cold evaporator core and expels

the cooled air through the discharge grill. The condenser (outside the container) section contains the condenser core and an axial fan, which is moving the heat from the internal air to the outside atmosphere.

Unit components and airflow

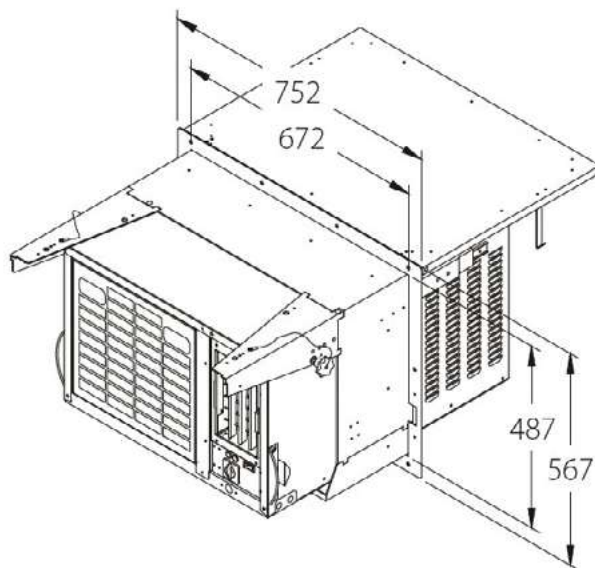
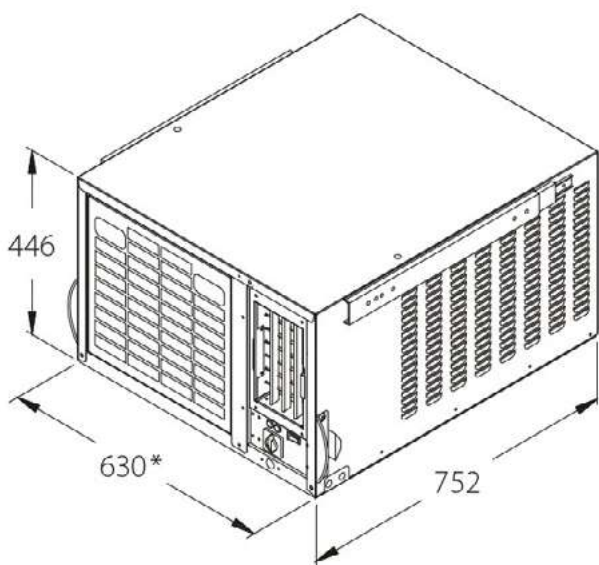
- 1. Internal fan
- 2. Evaporator core
- 3. External fan
- 4. Condenser core
- 5. Compressor
- 6. External air intake
- 7. External air discharge
- 8. Internal warm air intake
- 9. Internal cooled air discharge



Schuko power plug



AC-M5 MKI dimensions in mm



* 698 with handles

Dimensions in mm



AC-M5 MKII



AC-M5 MKII trap door



AC-M5 MKII mounted inside in trap door



AC-M5 MKII mounted outside in trap door

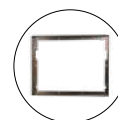


- Designed for window mounting in ISO containers
- Manufactured from hot dip galvanized and powder coated steel sheet
- When in operation and transportation mode the trap door and AC-M5MKII provides an air tight boundary to ambient environment
- The above qualifies for CBRN/COLPRO compatibility
- The trap door unit also serves as protection against rain and extreme sun when the unit is operating
- Provides cooling at ambient temperatures up to +60°C
- Nato green or RAL 6031 optional colours on request BS381C285
- Scroll compressor for high degree of reliability and low noise
- Easy to operate microprocessor to control temperature and comply with EMC military standard
- Two speed selector for the internal fan
- "VENT-only" option, allowing ventilation without cooling
- Optional heating
- Possible to lock the trapdoor with a padlock or positively lock the trapdoor for under-slung
- AC-M5MKII and trap door setup complies with Def Stan 59-411 Land Class C. transportation by helicopter

Optional accessories



**Trap door system
 322040**



**Welding frame for
 corrugated container
 019502**



Control panel

Container cooling
AC-M5 MKII

Specifications	Units	AC-M5 MKII (50 Hz)	
		Imperial	Metric
Registered NSN number	-	Yes	Yes
Operating temperature range, cooling	°F/°C	+68 to +140	+20 to +60
Operating temperature range, heating	°F/°C	-26 to +68	-32 to +20
Air flow - step I/II	CFM/m ³ /h	261 / 560	420 / 900
Sound level, fan-speed 1 & 2 @ 1m	dB(A)	49/63	49/63
Protection class	NEMA/IP	3R	IP55
Refrigerant	Type/lbs/kg	R134a/3.1	R134a/1.4
GWP (Global Warming Potential)	AR4	1.430	1430
Nominal cooling capacity	BTU/kW	16.000	4,7
Heating capacity (optional)	BTU/kW	6.824	2
Power supply	V/Hz	230/ 1ph/50	230/1ph/50
Max. running current, cooling/heating	A	11.2 / 8.6	11.2/8.6
Locked rotor amperage (LRA)	A	47	47
Max. power consumption cooling/heating	W	2.300	2.300
Product size (h x l x w)	in/mm	19 x 29.7 x 26.2	482 x 755 x 666
Weight net/with trap door system	lbs/kg	174/ 234	79/106

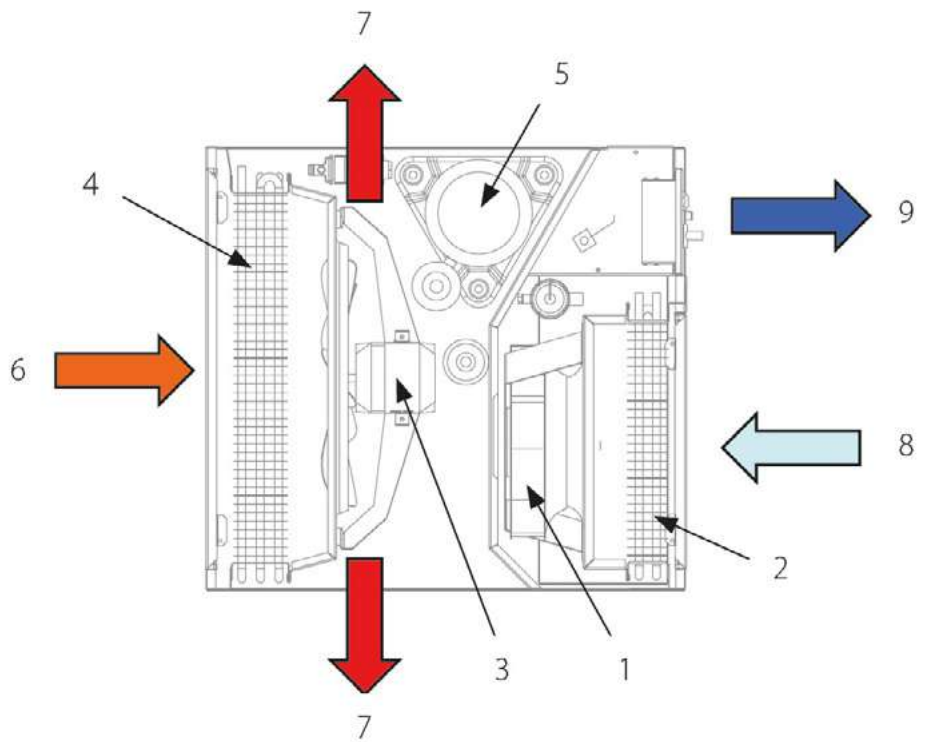
Specifications	Units	AC-M5 MKII (60 Hz)	
		Imperial	Metric
Registered NSN number	-	Yes	Yes
Operating temperature range, cooling	°F/°C	+68 to +140	+20 to +60
Operating temperature range, heating	°F/°C	-26 to +68	-32 to +20
Air flow - step I/II	CFM/m ³ /h	247 / 571	420 / 970
Sound level, fan-speed 1 & 2 @ 3 feet/1m	dB(A)	49/63	49/63
Protection class	NEMA/IP	3R	IP55
Refrigerant	Type/lbs/kg	R134a/3.1	R134a/1.4
GWP (Global Warming Potential)	AR4	1,430	1,430
Nominal cooling capacity	BTU/kW	16,000	4.7
Heating capacity (optional)	BTU/kW	6,824	2
Power supply	V/Hz	208/230/1ph/60	208/230/1ph/60
Max. running current, cooling/heating	A	12/9.2	12/9.2
Locked rotor amperage (LRA)	A	56	56
Max. power consumption	W	2,400	2,400
Product size (h x l x w)	in/mm	19 x 29.7 x 26.2	482 x 755 x 666
Weight net/with trap door system	lbs/kg	163 / 223	74/101

Container cooling
AC-M5 MKII



Unit components and airflow

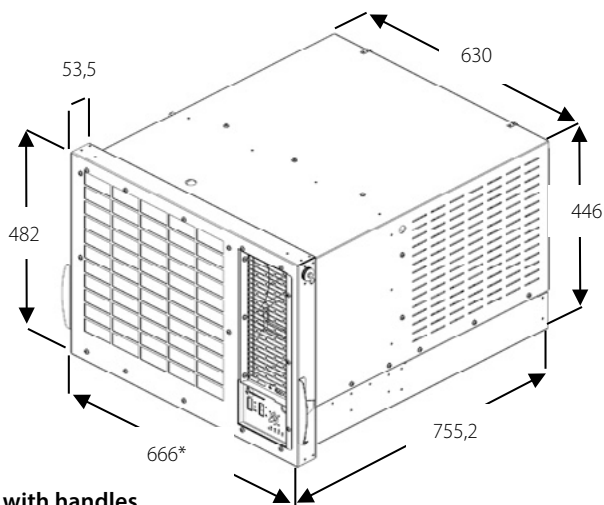
- 1. Internal fan
- 2. Evaporator core
- 3. External fan
- 4. Condenser core
- 5. Compressor
- 6. External air intake
- 7. External air discharge
- 8. Internal warm air intake
- 9. Internal cooled air discharge



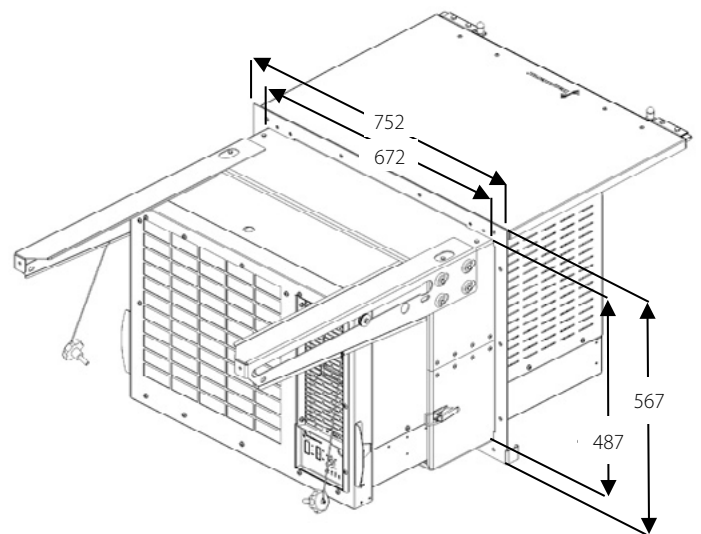
Schuko power plug



AC-M5 MKII dimensions in mm



* 716 with handles



AC-M10



AC-M10



- Designed for window mounting in ISO containers
- Manufactured from hot dip galvanized and powder coated steel sheet
- Can provide cooling at ambient temperatures up to +60°C
- No fresh air intake as to qualify CBRN/COLPRO compliance
- When in operation and transportation mode the trap door and AC -M10 provides an air tight boundary to ambient environment
- Scroll compressor for high degree of reliability and low noise level
- Safety high pressure switch to prevent over pressure
- Easy to operate micro-processor to control temperature
- PPL 15 filtering recirculated air within the shelter
- Easy mounting into the trap door system by means of a forklift
- ErP 2015 compliant
- CO2 equivalent only 3.5ton
- Arctic model can provide cooling down to -51°C
- Large electrical heater at 4kW standard
- Monobloc cooling circuit hermetically sealed
- No cooling technician required for installation
- Easy change of cooling and heating setpoint at display unit
- RS485 ModBus standard

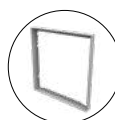
Optional accessories



Trapdoor frame
322048



Door and mounting kit
322049

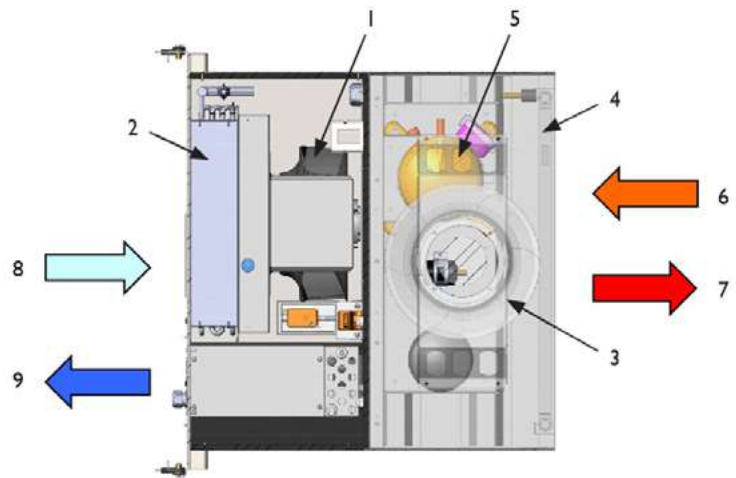


Welding frame for corrugated container
111536

AC-M10

The AC-M10 is designed for window mounting in ISO containers and hard walls applications. Together with the trap door system the air-conditioner is mounted in the container wall. It is designed to store within the confinement of the ISO corners of the container during transportation, or storage. For operation the AC-M10 is pushed out from the container in the trapdoor system. Once push out for operation the unit is locked from inside the container.

The function of the AC-M10 is based on a cooling circuit with two powerful fans. The evaporator (inside the container) section contains the evaporator core and a radial fan, which cycles the warm internal air from the shelter through the cold evaporator core and expels the cooled air through the discharge grill. The condenser (outside the container) section contains the condenser core and an axial fan, which is moving the heat from the internal air to the outside atmosphere.



Unit components and airflow

- 1. Internal fan
- 2. Evaporator core
- 3. External fan
- 4. Condenser core
- 5. Compressor
- 6. External air intake
- 7. External air discharge
- 8. Internal warm air intake
- 9. Internal cooled air discharge

Specifications	Units	AC-M10		AC-M10 Arctic	
		Imperial	Metric	Imperial	Metric
Registered NSN number	-	Yes	Yes	Yes	Yes
Operating temperature range, cooling	°F/°C	+68 to +140	+20 to +60	-60 to +140	-51 to +60
Operating temperature range, heating	°F/°C	-26 to +68	-32 to +20	-60 to +68	-51 to +20
Air flow	CFM/m ³ /h	942	1,600	942	1,600
Sound level @ 5 feet/1.5m	dB(A)	60	60	60	60
Protection class	NEMA/IP	3S	IPX5	3S	IPX5
Refrigerant	Type/lbs/kg	R134a/5.5	R134a/2.5	R134a/5.5	R134a/2.5
Global Warning Potential	AR4	1,430	1,430	1,430	1,430
Nominal cooling capacity	BTU/kW	34,100	10	34,100	10
Cooling capacity 35°C outdoor/ 25°C indoor	BTU/kW	23,500	6.9	23,500	6.9
Heating capacity (optional)	BTU/kW	13,650	4	13,650	4
Power supply	V/Hz	400/3ph/50	400/3ph/50	400/3ph/50	400/3ph/50
Max. running current	A	9.6	9.6	9.6	9.6
Locked rotor amperage (LRA)	A	48	48	48	48
Max. power consumption cooling	W	4,840	4,840	4,840	4,840
Colour		BS285 (NATO green)	BS285 (NATO green)	BS285 (NATO green)	BS285 (NATO green)
Product size (h x l x w)	in/mm	31.22 x 30.71 x 31.22	793 x 780 x 793	31.22 x 30.71 x 31.22	793 x 780 x 793
Weight	lbs/kg	306	139	311	141

Installation



Trapdoor – part 1



Trapdoor with mounting kit – part 2



Outside view in transportation mode



Outside view in operation mode



Inside view in transportation mode

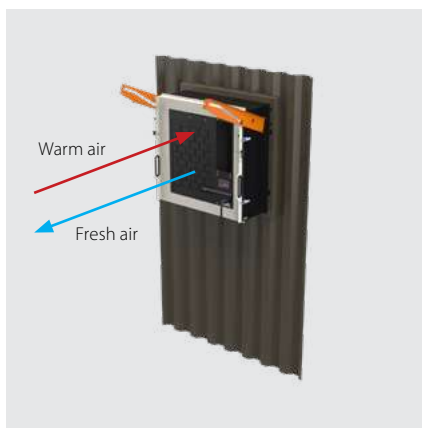


Inside view in operation mode

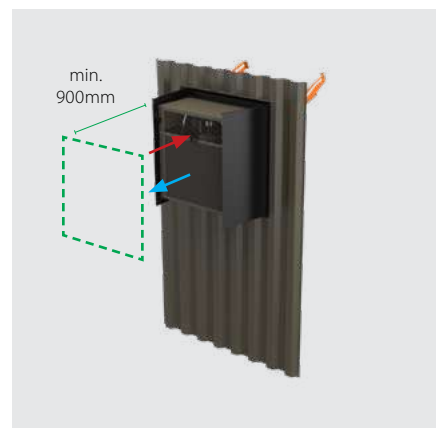
Air flow



Outside



Inside



Keep at least 900mm free space in front of the unit in operation mode

AC-M6



AC-M6



AC-M6
RAL6031 green



- The AC-M6 is manufactured from 0.9- 2.5mm galvanized and powder coated steel sheet
- Top finish is powder painting RAL 9010 or RAL6031 green
- Cooling at outside temperatures up to +51°C
- 7.2kW electrical heating coil (optional)
- Environmentally low GWP only 148 friendly R454C refrigerant
- High/low pressure switch ensuring a long compressor lifespan
- The AC-M6 with a heater connects to the mains power supply or to a separate diesel generator via a 10m power cable with CEE 16 Amp plug IP54
- The AC-M6 without a heater connects to the mains power supply or to a separate diesel generator via 10m power cable with a CEE 16
- Temperature control carried out by a room thermostat
- Inlet and discharge openings for Ø315mm well insulated, flexible ducts
- Fresh air intake via adjustable dampers
- Coarse filter for fresh air intake and recirculation
- Easy transportation by either forklift or wheels

Optional accessories



Insulated duct
Ø315 x 3m
095852



Uninsulated duct
Ø315 x 5m
428441



Air distribution duct
Ø315 x 5m
428443



Thermostat Cooling/ Heating
064409



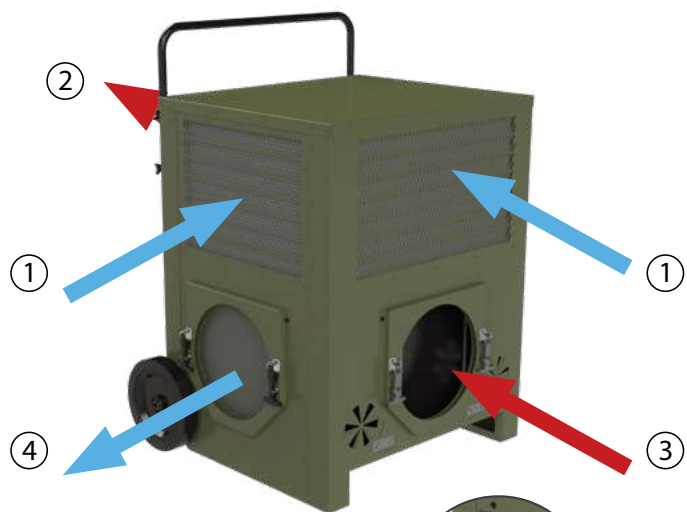
Thermostat Cooling
018668

AC-M6



The function of the AC-M6 is based on a cooling circuit and two powerful fans. The lower section contains the evaporator and evaporator fan and draws outside or recirculated air through the cold evaporator. The AC-M6 have fresh air dampers that can supply fresh air to the tent when the air is recirculated.

The AC-M6 air-conditioner is a transportable unit developed primarily to provide air conditioning in temporary or transportable buildings or tents. The AC-M6 is designed for placement outside with supply air and return air ducted to the tent (Ø315mm).



CEE 16A 3phase



CEE 16A 1phase

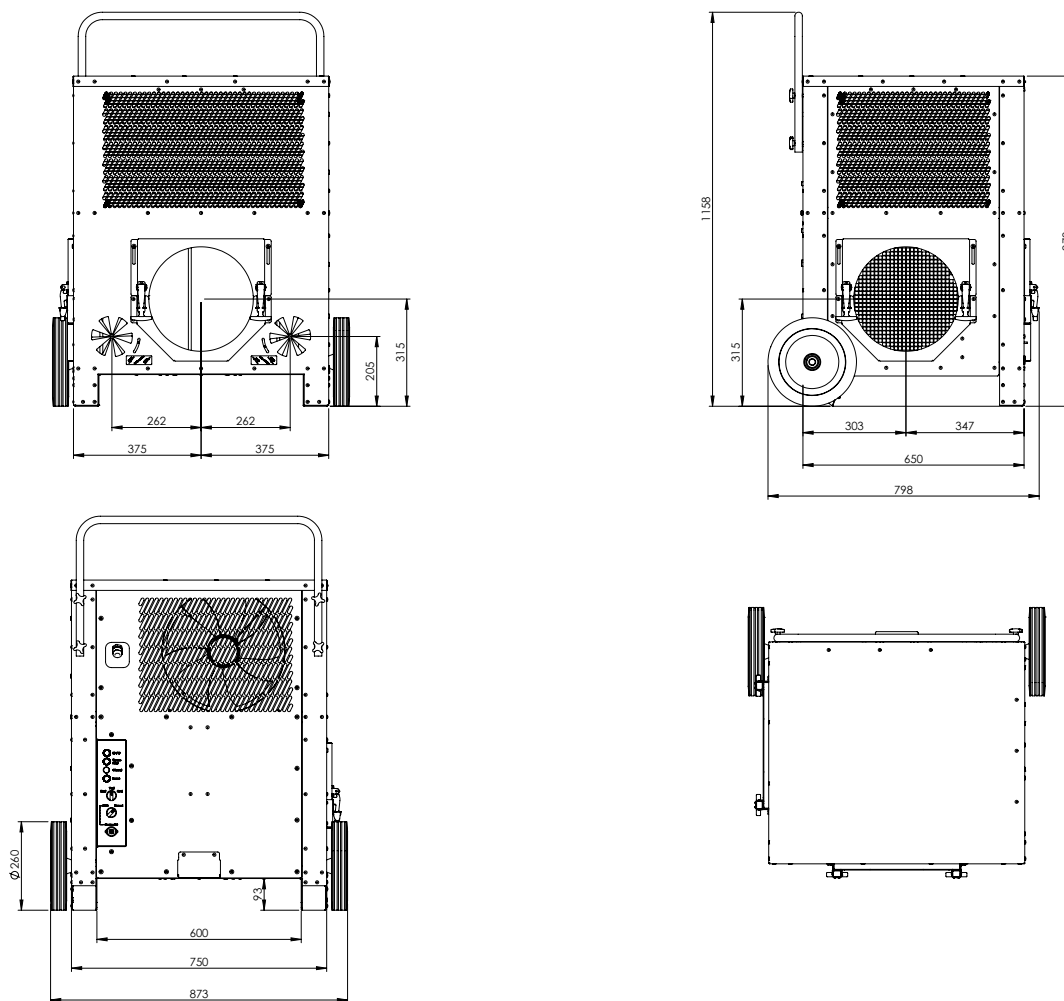
Airflow

- 1. Condenser in
- 2. Condenser out
- 3. Return air from tent
- 4. Supply air to tent



Control panel

AC-M6 dimensions in mm



AC-M6



Specifications	Units	AC-M6 w. heater		AC-M6 w/o heater	
		Imperial	Metric	Imperial	Metric
Operating temperature range, cooling	°F/°C	+77 to +124	+25to+ 51	+77 to +124	+25to +51
Operating temperature range, heating	°F/°C	-25 to +77	-32 to +25	N/A	N/A
Air flow	CFM/m³/h	824	1,400	824	1,400
Cooling capacity @ 51/41°C 30% RH	BTU/kW	20,800	6.1	20,800	6.1
Cooling capacity @ 35/27°C 38% RH	BTU/kW	12,600	3.7	12,600	3.7
Heating capacity	kW	7.2	7.2	-	-
Power supply	V/Hz	400/3ph/50	400/3ph/50	230/1ph/50	230/1ph/50
Max. current (heating/cooling)	A	12.2 /14.9	12.2 /11.6	14.9	14.9
Locked rotor amperage (LRA)	A	35.5	35.5	35.5	35.5
Refrigerant	Type/lbs/kg	R454C/1.2	R454C / 1.2	R454C/1.2	R454C / 1.2
Max. system pressure	bar	28	28	28	28
GWP (Global Warming Potential)	AR4	148	148	148	148
Protection class (electrical panel)	NEMA/IP	3R	IPX5	3R	IPX5
Sound level @ 5 feet/1.5m	dB(A)	60	60	60	60
Fresh air intake	CFM/m³/h	0 to 124	0 to 200	0 to 124	0 to 200
Filter (fresh air intake + recirculation)	Type	Coarse	Coarse	Coarse	Coarse
Handling	-	On wheels or by forklift	On wheels or by forklift	On wheels or by forklift	On wheels or by forklift
Power cable with plug	-	32.8 feet with CEE16 Amp 1ph	10m with CEE 5P 6H IP54, 400V, 16A	32.8 feet with CEE 16Amp 1ph, IP54	10m with CEE 3P 6H-IP54,230V,16A
Hose connection	Øin/mm	12.4	Ø315	12.4	Ø315
Room thermostat	-	Optional	Optional	Optional	Optional
Safety	-	CE/UKCA	CE/UKCA	CE/UKCA	CE/UKCA
Product size (h x w x l)	in/mm	38.2 x 34.4 x 31.4	1158 X 872 X 798	38.2 x 34.4 x 31.4	1158 X 872 X 798
Weight	lbs/kg	251	114	238	109

**AC-M7 MKII
one opening**



**AC-M7 MKII
two openings**



- Manufactured from hot dip galvanized and powder coated steel sheet
- Can provide cooling at ambient temperatures up to +55°C
- Connect to the mains power supply or a separate diesel generator through a 15m power cable with CEE plug
- "VENT-only" option, allowing ventilation without cooling
- Temperature control by a room thermostat placed inside the tent
- Washable and easy removable coarse filters in front of internal air intake as well as in front of external air intake
- Easy transportation, either by forklift, the four lifting hooks on top of the unit or with the two wheels
- Setup and operation can be done by a single person
- Removable wheels, which can be stowed on top of the unit
- Adjustable fresh air intake
- As operational range, heating: an option can be provided to operate between -32°C to +20°C

Optional accessories



Remote thermostat with cable
15m
064409



Insulated flexible air duct
Ø225mm x 3m
295030



Uninsulated flexible air duct
Ø315mm x 5m
428441



Insulated, flexible air duct (incl. bag)
Ø315mm x 3m
562409



Storage bag for insulated air duct
Ø225mm
428436



Uninsulated air distribution extension duct
Ø315mm x 2m
428442



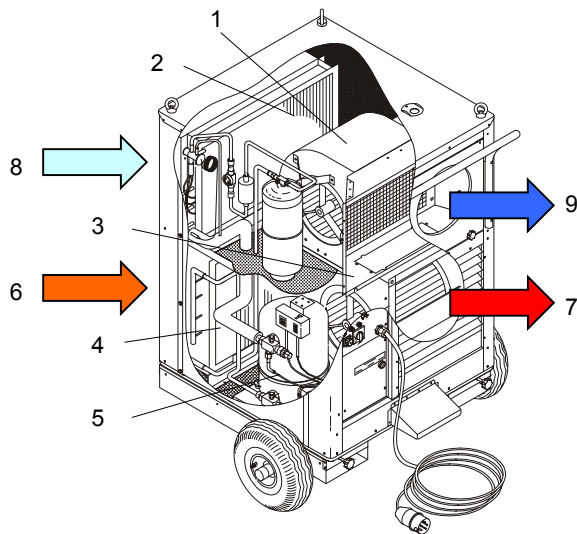
Uninsulated air distribution duct
Ø315mm x 5m
428443



Uninsulated air distribution duct
Ø225mm x 6m
295331

Unit components and airflow

1. Internal fan
2. Evaporator
3. External fan
4. Condenser
5. Compressor
6. External air intake
7. External air discharge
8. Internal warm air intake
9. Internal cooled air discharge

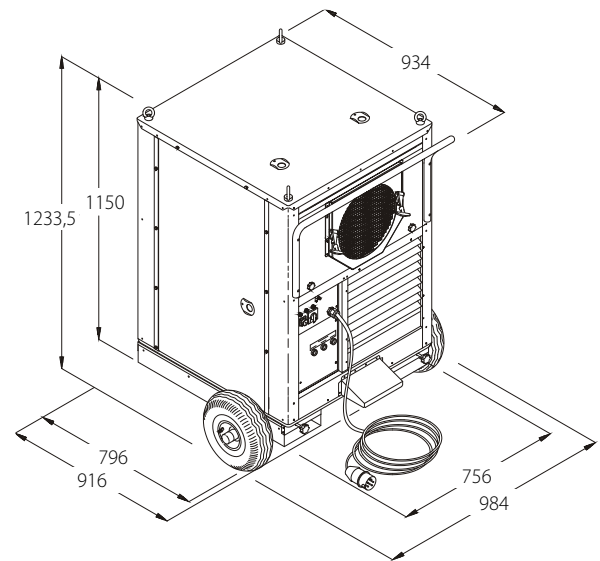


CEE 16
Length power cable 15m

Fresh
air intake



AC-M7 MKII dimensions in mm



Specifications	Units	AC-M7 MKII	
		Imperial	Metric
Registered NSN number	-	Yes	Yes
Operating temperature range, cooling	°F/°C	+68 to +131	+20 to +55
Operating temperature range, heating	°F/°C	-4 to +68	-20 to +20
Air flow	CFM/m ³ /h	1,471	2,500
Sound level @ 5 feet/1.5m	dB(A)	69	69
Protection class	NEMA/IP	3	IPX4
Refrigerant	Type/lbs/kg	R134a/6.6	R134a/3.0
GWP Global Warming Potential	AR4	1,430	1,430
Nominal cooling capacity	BTU/kW	25,900	7.6
Heating capacity (optional)	BTU/kW	24,500	7.2
Power supply	V/Hz	400/3ph/50	400/3ph/50
Max. running current, cooling/heating	A	7.2/13	7.2/13
Locked rotor amperage (LRA)	A	24	24
Max. power consumption cooling/heating	W	3,700/7,700	3,700/7,700
Hose connection	Øin/mm	1 x 12.4 or 2 x 8.9	1 x 315 or 2 x 225
Product size (h x l x w)	in/mm	45.3 x 31.3 x 29.8	1,150 x 796 x 756
Weight	lbs/kg	419	190



AC-M11



**AC-M11
with trolley**

Optional accessories



**Remote thermostat
with cable**
15m
064409



**Insulated flexible
air duct including
storage bag**
Ø315mm x 3m
039732



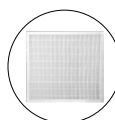
**Uninsulated flexible
air duct**
Ø315mm x 5m
428441



Air distribution duct
Ø315mm x 5m
428443



**Trolley with
wheels**
068459



Filter ePM1 60% (F7)
068532



- The AC-M11 is capable of maintaining the shelter temperature at +20 -25°C when the shelter is built accordingly
- The AC-M11 is built into a strong metal frame with insulated panels where relevant, powder coated
- Top finish painting is standard sand colour or NATO green RAL6031, desert and RAL9010
- Designed for air conditioning when the temperature is above 20°C. It can provide cooling at ambient temperatures up to +60°C. Option with built in heating will heat when ambient temperature is below 20°C
- Scroll compressor for a high degree of reliability and low noise level
- Automatic phase surveillance
- Sequential start of units possible
- Environment-friendly R134a refrigerant
- HP/LP pressostat switches ensuring long compressor lifetime
- Controlled by a room thermostat placed inside the tent (accessory)
- ISO coarse 80% (G4) filtration of the internal air
- Dual filters in front of internal air intake as an option
- Fresh air intake
- Four way fork lift handling
- Easy strap down on air cargo pallets and stackable (two units on top of each other)
- Insulated flexible ducts Ø315mm for exhaust and return air openings
- Low voltage control circuit
- CE-marked
- ErP 2015 compliant
- Designed for optimal utilization of a standard 20" ISO container

Tent cooling AC-M11

The AC-M11 unit is primarily designed to provide air conditioning and heating in temporary or transportable buildings or tents. It is a small light weight unit made out of aluminium and built into a rigid steel frame. The unit is designed to be placed outside, with supply air and return air ducted to the tent.

The function of the AC-M11 is based on a cooling circuit and two powerful fans. The evaporator section contains the evaporator and a radial fan, which draws warm internal air of the tent through the cold evaporator and blows out the cooled air through the side or the top of the unit. The condenser section contains two condenser coils and a large axial fan, returning the heat taken from the internal air to the outside atmosphere.

All sheet metal parts are protected against corrosion by 60 to 80µm top coat.



Filter ePM1 60% (F7)



Control panel



Installation with the air ducts

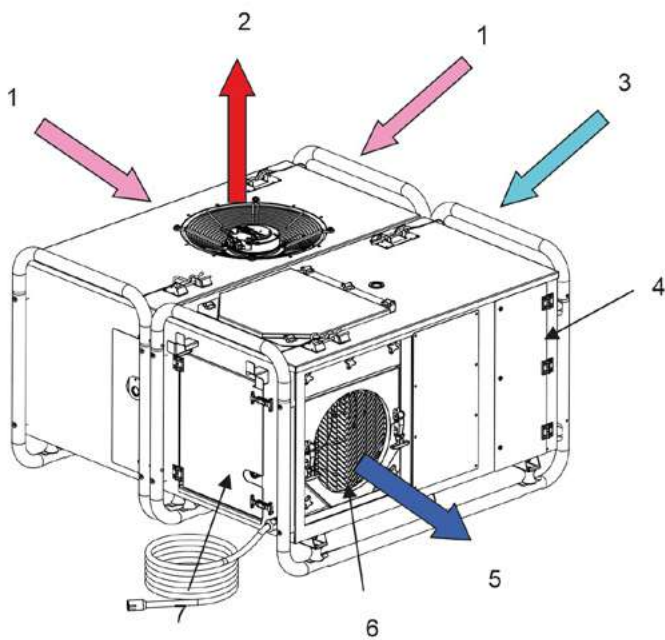


Trolley with robust wheels

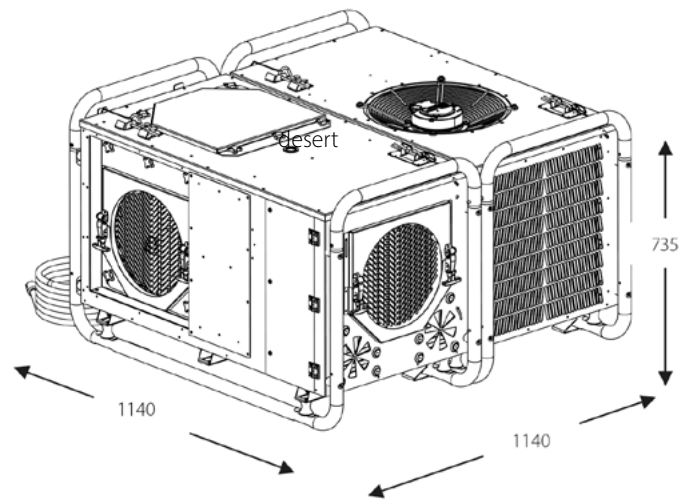
For field hospitals where a higher filtration than for normal accommodation is wanted, a dual filtration system for the internal air path is available. The AC-M11 is equipped with an electric heating coil, to provide heating for example for night time when temperatures can fall under 20°C.



Tent cooling
AC-M11



AC-M11 dimensions in mm



Unit components and airflow

- 1. Condenser air intake
- 2. Condenser air discharge
- 3. Warm air intake
- 4. Dual filter system (optional)
- 5. Cooled air discharge
- 6. Duct coupling (Ø315mm)
- 7. Electrical panel with cover

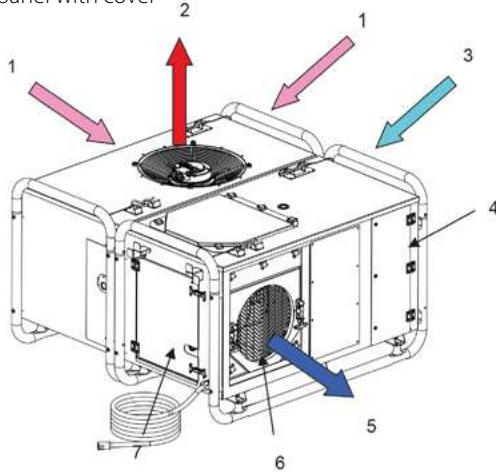
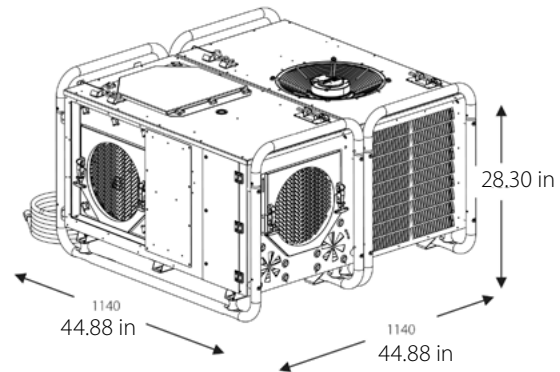
10m power cable with CEE 16 plug



Specifications	Units	AC-M11 (400V/3ph/50Hz)	
		Imperial	Metrics
Registered NSN number	-	Yes	Yes
Operating temperature range, cooling	°F/°C	68 to 140	20 to 60
Operating temperature range, heating	°F/°C	-26 to 68	-32 to 20
Air flow	CFM/m ³ /h	1.000	1.700
Fresh air intake (two adjustable dampers)	CFM/m ³ /h	0 to 120	0 to 200
Sound level @ 1m	dB(A)	55	55
Protection class	NEMA / IP	3R	IPX5
Refrigerant	lbs / kg	R134a/4.4	R134a/2.0
Global Warning Potential	AR4	1.430	1.430
Nominal cooling capacity	BTU / kW	37.500	11
Heating capacity (optional)	BTU / kW	27.000	8
Power supply	V/Hz	400/3ph/50	400/3ph/50
Max. running current, cooling/heating	A	14 / 13.8	14 / 13.8
Locked rotor amperage (LRA)	A	48	48
Max inrush current with soft sarster	A	37	37
Max. power consumption cooling/heating	W	5,600 / 8,700	5,600 / 8,700
Power cable length	ft/m	32,8	10
Hose connection	Øin / mm	12,4	315
Product size (h x l x w)	In / mm	28.3 x 44.9 x 44.9	735 x 1,140 x 1,140
Weight	lbs / kg	357	162

Unit components and airflow

1. Condenser air intake
2. Condenser air discharge
3. Warm air intake
4. Dual filter system (optional)
5. Cooled air discharge
6. Duct coupling (Ø12.4 in)
7. Electrical panel with cover

**Main plug, IEC/EN 60 309 Male 60A****Dimensions**

Specifications	Units	AC-M11 (208V/3ph./60Hz.)	
		Imperial	Metric
Registered NSN – NATO Stock Number	-	Yes	Yes
Operating temperature range, cooling	°F/°C	68 to 136	20
Operating temperature range, heating	°F/°C	-26 to 68	-32 to 55
Air flow	CFM/m ³ /h	1,000	1700
Fresh air intake (two adjustable dampers)	CFM/m ³ /h	0 to 120	0 to 200
Sound level @ 1.5m	dB(A)	59	59
Protection class	NEMA / IP	3R	X5
Refrigerant / quantity	lbs / kg	R513A / 7.7	R513A / 2.0
Max refrigerant pressure	psi / bar	406	28
Global Warning Potential	AR4	631	631
Nominal cooling capacity	BTU / kW	37,500	11
Heating capacity	BTU / kW	27,300	8
Power supply	V/Hz	208/3ph/60	208/3ph/60
Max. running current, cooling/heating	A	20.5 / 22.7	20.5 / 22.7
Locked rotor amperage (LRA)	A	65.5	65.5
Start inrush current with soft starter	A	29	29
Main plug, IEC/EN 60 309	A	30	30
Operation height (above sea level)	ft / m	0 to 11,480	0 to 3,500
Long term storage	°F / °C	-40 to +158 <50%RH	-40 to +70°C <50%RH
Duct connection	Øin / mm	12.4	315
Product size (h x l x w)	In / mm	28.3 x 44.9 x 44.9	780 x 1140 x 1140
Weight	lbs / kg	381	173



AC-M18



- Designed for optimal utilization of a standard 20" ISO container
- The AC-M18 is built into a strong metal frame with insulated panels where relevant, powder coated
- Top finish painting is standard sand colour RAL 6031
- Option with built in heating will heat when ambient temperature is below 20°C
- Scroll compressor for a high degree of reliability and low noise level
- Automatic phase surveillance
- Sequential start of units possible
- HP/LP pressostat switches ensuring long compressor lifetime
- Fresh air intake
- Four way fork lift handling
- Easy strap down on air cargo pallets and stackable (two units on top of each other)
- Filter class: ISO coarse 80% (G4)
- HEPA filter unit optional



**AC-M18
with trolley**

Optional accessories



**Remote thermostat
with cable**
15m
064409



**Insulated flexible
air duct including
storage bag**
Ø400mm x 3m
030774



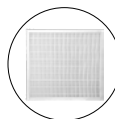
**Uninsulated flexible
air duct including
storage bag**
Ø400mm x 5m
033223



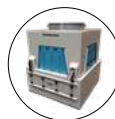
Air distribution duct
Ø400mm x 6m
033224



Trolley with wheels
075770



Filter ePM1 60% (F7)
090973



HEPA filter
323041

Tent cooling
AC-M18



Control panel



Filter ePM1 60% (F7)



Control panel open



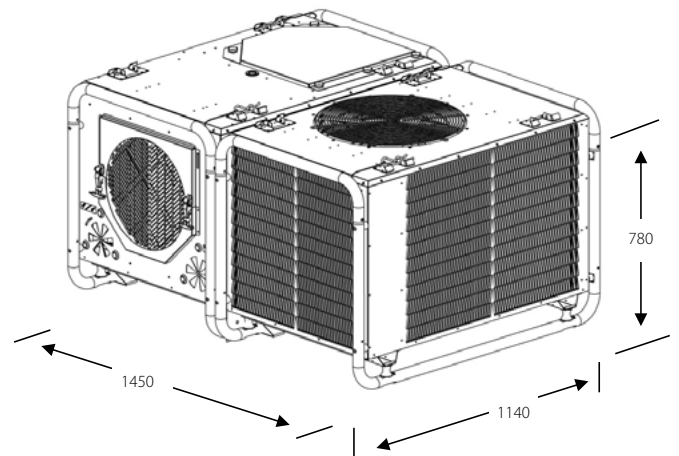
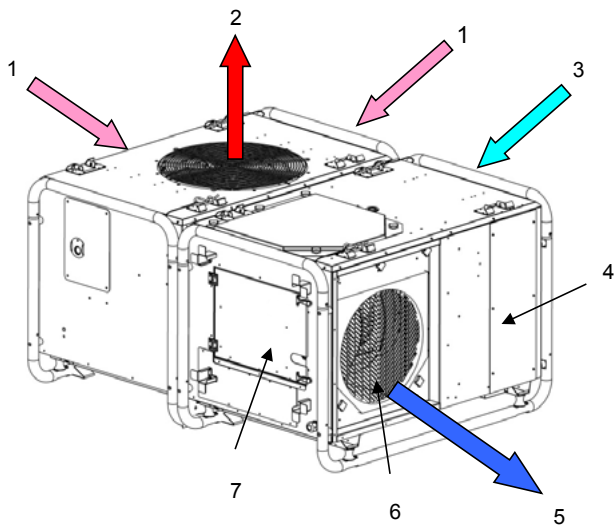
Trolley with robust wheels



Condenser view

Specifications	Units	AC-M18 (400V/3ph/50Hz)	
		Imperial	Metric
Registered NSN number		Yes	Yes
Operating temperature range, cooling	°F/°C	+68 to +140	+20 to +60
Operating temperature range, heating	°F/°C	-26 to +68	-32 to +20
Air flow	CFM/m ³ /h	1,471	2,500
Sound level @ 3m	dB(A)	59	59
Protection class	NEMA/IP	3R	IPX5
Refrigerant	lbs/kg	R134a/6.6	R134a/3.0
Global Warning Potential	AR4	1,430	1,430
Nominal cooling capacity	BTU/kW	60,000	17.5
Heating capacity (optional)	BTU/kW	20,500/54,600	6/16
Power supply	V/Hz	400/3ph/50	400/3ph/50
Max. running current, cooling/heating	A	16/26	16/26
Locked rotor amperage (LRA)	A	73	73
Inrush current with soft starter	A	56	56
Max. power consumption cooling/heating	W	8,300/variable	8,300/variable
Power cable length	ft/m	32.8	10
Hose connection	Øin/mm	15.75	400
Product size (h x l x w)	in/mm	30.7 x 57.1 x 44.9	780 x 1,450 x 1,140
Weight	lbs/kg	450	204

Tent cooling
AC-M18



AC-M18 dimensions in mm

- Unit components and airflow**
- 1. Condenser air intake
 - 2. Condenser air discharge
 - 3. Warm air intake
 - 4. Dual filter system (optional)
 - 5. Cooled air discharge
 - 6. Duct coupling (Ø400mm)
 - 7. Electrical panel with cover

10m power cable with CEE 32 plug



Specifications	Units	AC-M18 (3x208V/60 Hz)	
		Imperial	Metric
Registered NSN – NATO Stock Number	-	Yes	Yes
Operating temperature range, cooling	°F/°C	68 to 131	20 to 55
Operating temperature range, heating	°F/°C	-26 to 68	-32 to 20
Air flow	CFM/m ³ /h	1,475	2,500
Fresh air intake (two adjustable dampers)	CFM/m ³ /h	0 to 190	0 to 320
Sound level @ 3m	dB(A)	59	59
Protection class	NEMA / IP	3R	55
Refrigerant / quantity	lbs / kg	R513A / 7.7	R513A / 3.5
Max refrigerant pressure	psi / bar	406	28
Global Warning Potential	AR4	631	631
Nominal cooling capacity	BTU / kW	57,665	16.9
Heating capacity	BTU / kW	20,500/54,600	6 / 16
Power supply	V/Hz	208/3ph/60	208/3ph/60
Max. running current, cooling/heating	A	31/48	31/48
Locked rotor amperage (LRA)	A	134	134
Inrush current with soft starter	A	108	108
Main plug, IEC/EN 60 309	A	60	60
Operation height (above sea level)	ft / m	0 to 11,480	0 to 3,500
Long term storage	°F / °C	-40 to +158 <50%RH	-40 to +70°C <50%RH
Duct connection	Øin / mm	15.75	400
Product size (h x l x w)	ln / mm	30.7 x 57.1 x 44.9	780 x 1450 x 1140
Weight	lbs / kg	459	208

Tent cooling
AC-M18 CBRN



AC-M18 CBRN



Control panel



- The AC-M18 is built into a strong metal frame with insulated panels where relevant, powder coated
- Top finish painting is standard NATO green or sand
- Scroll compressor for a high degree of reliability and low noise level
- Automatic phase surveillance
- Sequential start of units possible
- HP/LP pressostat switches ensuring long compressor lifetime
- Fresh air intake
- Four way fork lift handling
- Easy strap down on air cargo pallets and stackable (two units on top of each other)
- Optional soft starter

The AC-M18 CBRN is designed to operate on COLPRO applications with the evaporator module placed inside the shelter and the condenser module placed outside. The two modules are interconnected by 5 m long refrigerant hoses, power and control cables. The interconnections are all equipped with quick disconnect components for quick and safe setup and take down.

The HVAC unit can also operate with both modules placed outside, with supply air and return air ducted to one tent. A dual filtration system for the internal air path is available for selective filtration.

Optional accessories



Remote thermostat with cable
 15m
064409



Insulated flexible air duct including storage bag
 Ø400mm x 3m
030774



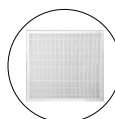
Uninsulated flexible air duct including storage bag
 Ø400mm x 5m
033223



Air distribution duct
 Ø400mm x 6m
033224



Trolley with wheels
075770



Filter ePM1 60% (F7)
090973



HEPA filter
323041

Specifications	Units	AC-M18 CBRN (400V/3ph./50Hz.)	
		Imperial	Metric
Registered NSN number	-	Yes	Yes
Operating temperature range, cooling	°F/°C	68 to 140	+20 to +60
Operating temperature range, heating	°F/°C	-26 to 68	-32 to +20
Air flow	CFM/m ³ /h	1,471	2,500
Sound level @ 3.3 ft / 1m	dB(A)	54	54
Protection class	NEMA/IP	3R	IPX5
Refrigerant	Type/lbs/kg	R134a/8.2	R134a/3.7
Global Warning Potential	AR4	1,430	1,430
Nominal cooling capacity	kW/Btu	60,000	17.5
Heating capacity (optional)	kW	20,500/54,600	6/16
Power supply	V/Hz	400/3ph/50	400/3ph/50
Max. running current, cooling/heating	A	18/26	18/26
Locked rotor amperage (LRA)	A	73	73
Max inrush current with soft starter	A	56	56
Max. power consumption cooling/heating	W	8,300/variable	8,300/variable
Power cable length	ft/m	32.8	10
Hose connection	Øin/mm	15.75	400
Product size (h x l x w)	in/mm	(2x) 30.7 x 28.5 x 44.9	(2x) 780 x 725 x 1,140
Weight	lbs/kg	238/236	108/107

Specifications	Units	AC-M18 CBRN (208V/3ph./60Hz.)	
		Imperial	Metric
Registered NSN number	-	Yes	Yes
Operating temperature range, cooling	°F/°C	68 to 125	+20 to +55
Operating temperature range, heating	°F/°C	-26 to 68	-32 to +20
Air flow	CFM/m ³ /h	1,471	2,500
Sound level @ 1m	dB(A)	59	59
Protection class	NEMA/IP	3R	IPX5
Refrigerant	Type/lbs/kg	R513A/9.3	R134a or R513A/4.2
Global Warning Potential	AR4	1,430 / 631	1,430 / 631
Nominal cooling capacity	kW/Btu	57,665	16.9
Heating capacity (optional)	kW	6/16	6/16
Power supply	V/Hz	208/3ph/60	208/3ph/60
Max. running current, cooling/heating	A	31/48	31/48
Locked rotor amperage (LRA)	A	134	134
Max inrush current	A	108	108
Max. power consumption cooling/heating	W	8,300/variable	8,300/variable
Hose connection	Øin/mm	15.75	400
Product size (h x l x w)	in/mm	(2x) 30.7 x 28.5 x 44.9	(2x) 780 x 725 x 1,140
Weight	lbs/kg	247/264	112/120

AC-M18 CBRN



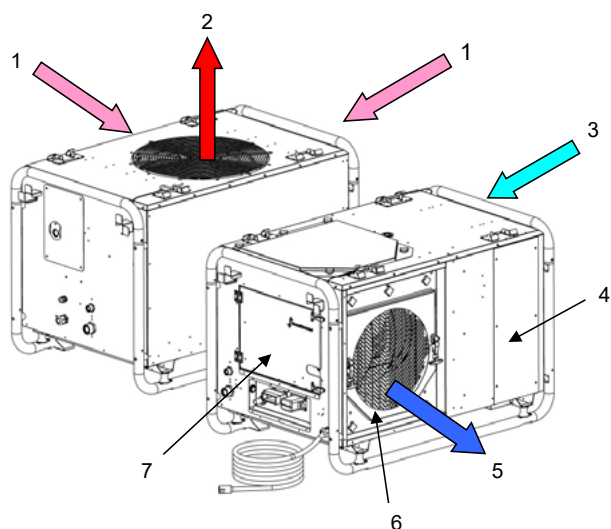
The function of the AC-M18 CBRN is based on a cooling circuit and two powerful fans. The evaporator section contains the evaporator and a radial fan, which draws warm internal air of the tent through the cold evaporator and blows out the cooled air either through the side or top of the unit. The condenser section contains two condenser coils and a large axial fan, returning the heat taken from the internal air to the outside atmosphere.

The AC-M18 CBRN can be equipped with an electric heating coil, to provide heating for example for night time when temperatures can fall under 20°C. All sheet metal parts are protected against corrosion by a minimum 60 to 80µm top coat.



Unit components and airflow

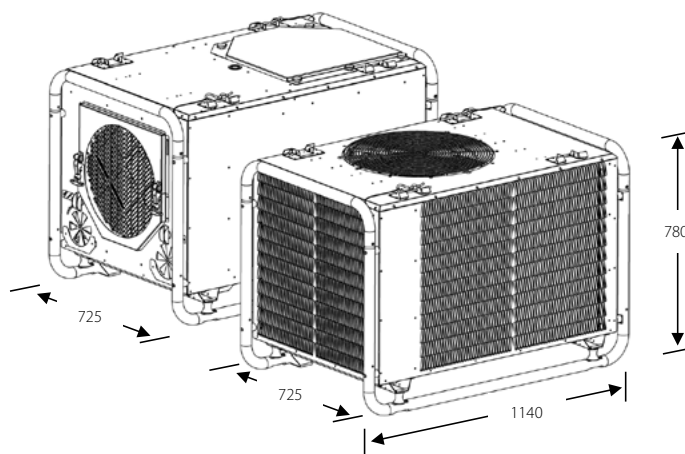
1. Condenser air intake
2. Condenser air discharge
3. Warm air intake
4. Dual filter system (optional)
5. Cooled air discharge
6. Duct coupling (Ø400mm)
7. Electrical panel with cover



CEE32 for EU



AC-M18 CBRN dimensions in mm



HEPA FILTER



The HEPA filter unit is mounted on top of the AC-M18 unit

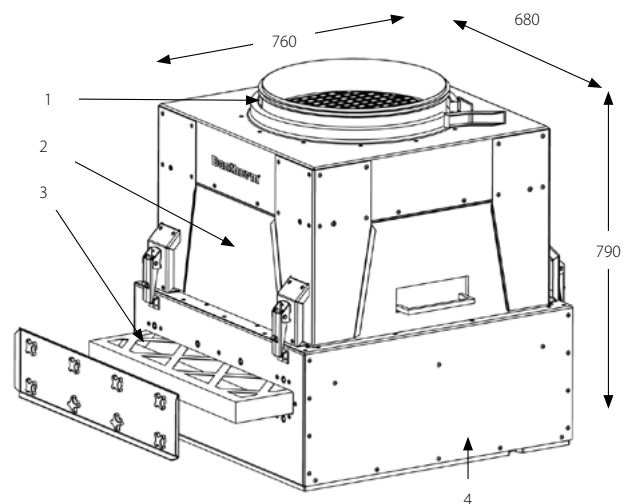


- For external installation, mounted on top of the AC-M18 evaporator side
- Can be fitted with H13 or H14 filters
- Up to four filters can be used in the air stream
- Reduces the internal fan noise of the air-conditioner of 3 dB (at 1m distance)
- Flexible air duct connection diameter 400mm



AC-M18 with HEPA filter unit and protective tarpaulin

HEPA filter unit dimensions in mm



Specifications	Units	HEPA filter unit
Registered NSN number	-	On all variants
Flex. air duct connection	Ømm	400
Filter collection efficiency for H13	%	99.95
Filter collection efficiency for H14	%	99.995
Weight (with HEPA and pre-filter)	kg	38
Product size (h x l x w)	mm	760 x 680 x 790

AC-M25 3PH/208V/60HZ
AC-M25
3PH/208V/60HZ

The AC-M25 unit is designed and manufactured to provide air conditioning and heating in deployable tents, shelters and temporary buildings. It is a powerful, compact unit made from aluminum sheet metal and built into a rigid steel frame. The unit is deployed outside the shelter, with ducted air supply and return air. For heating, the AC-M25 is equipped with electric resistance coils.

The function of the AC-M25 is based on a cooling circuit and two powerful fans. The evaporator section contains the evaporator and a radial fan, which draws warm internal air of the tent through the cold evaporator and blows out the cooled air through the side of the unit. The condenser section has large microchannel coil and a large axial fan.

All sheet metal parts are protected against corrosion by a minimum 60µm topcoat.

- The AC-M25 is a monobloc climate control system for operation in the harshest conditions
- 93,000 BTU air conditioning and 16 kw heating
- Easy set up and operation without tools
- Capable of maintaining a shelter temperature at 68-77°F at ambient temperatures from -26 to +131°F
- Strong metal frame, galv. steel sheet metal, powder coated, with insulated panels where relevant
- Standard NATO green or sand color
- Two-way forklift handling
- Easy strap-down on-air cargo pallets and stackable (two units on top of each other)
- In warehouses, the stack height is 3 units
- Designed for optimal utilization of a standard 20 ft container
- Fresh air intake
- Dual filters in front of internal air intake as an option Standard G4 (MERV7) filter with optional F7 (MERV13) filter in dual filter slot. Filters are easily accessible from side panel
- Insulated flexible ducts for supply and return air openings
- Thermostat placed inside the tent (accessory)
- Sequential start-up of more units possible
- Automatic phase surveillance
- Scroll compressor for high reliability and low noise level
- Micro coils in condenser section
- HP/LP pressure switches ensuring long compressor lifetime
- Low voltage control circuit
- Refrigerant R513a with GW on 631
- Compliant with EPA refrigerant requirements (40 C.F.R. § 84.54)
- QPSus certification for U.S. market

Optional accessories

Remote thermostat with cable
 16.4 yard
064409

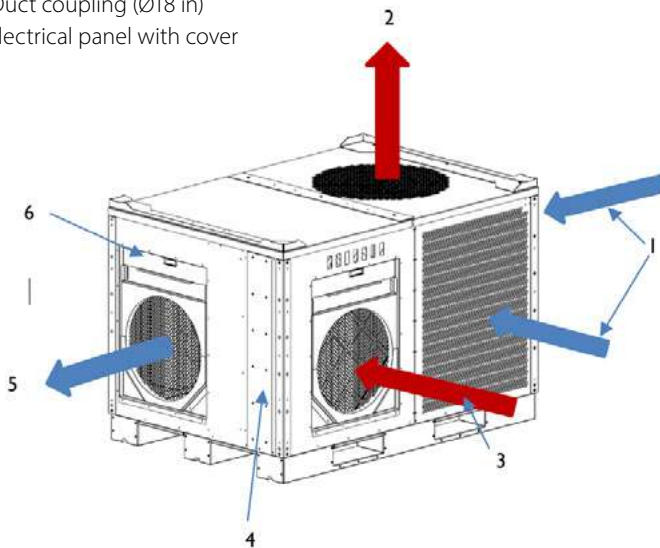
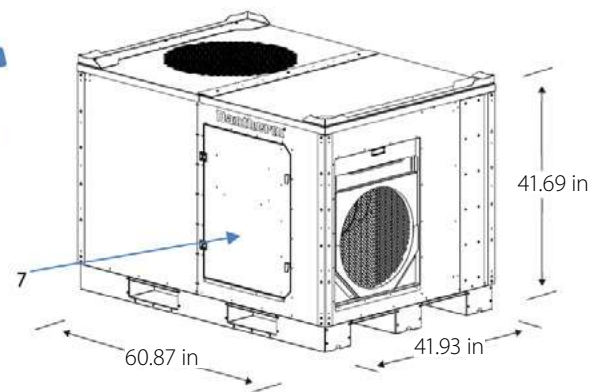
Insulated flexible air duct including storage bag
 Ø18in x 10ft

Uninsulated flexible air duct including storage bag
 Ø18in x 16ft

Air distribution duct
 Ø18in x 20ft

Unit components and airflow

1. Condenser air intake
2. Condenser air discharge
3. Warm air intake
4. Dual filter system (optional)
5. Cooled air discharge
6. Duct coupling (Ø18 in)
7. Electrical panel with cover

**Main plug, IEC/EN 60 309 Male 60A****Dimensions**

Specifications	Units	AC-M25 (208V/3ph./60Hz)	
		Imperial	Metric
Units			
Registered NSN – NATO Stock Number	-	Yes	Yes
Operating temperature range, cooling	°F/°C	+68 – +131	+20 – +55
Operating temperature range, heating	°F/°C	-26 – +68	-32 – +20
Air flow	CFM/m ³ /h	2,354	4,000
Fresh air intake (adjustable damper)	CFM/m ³ /h	0 to 335	0 to 570
Sound level @ 1.5m / 5ft	dB(A)	69	69
Protection class	NEMA / IP	3R	IP55
Refrigerant / quantity	lbs / kg	R513A / 11	R513A / 5.0
Global Warning Potential	AR4	631	631
Nominal cooling capacity	BTU / kW	93,000	27.2
Heating capacity electrical	BTU / kW	6/16	6/16
Power supply	V/Hz	208/3ph/60	208/3ph/60
Max. running current, cooling/heating	A	38 / 48	38 / 48
Locked rotor amperage (LRA)	A	209	209
Max Inrush current with softstarter	A	170	170
Main plug, IEC/EN 60 309	A	60	60
Hose connection	Øin / mm	18	457
Product size (h x l x w)	In / mm	41.69 x 60.87 x 41.93	1059 x 1546 x 1065
Weight	lbs / kg	732	332

RT-LINK BOX

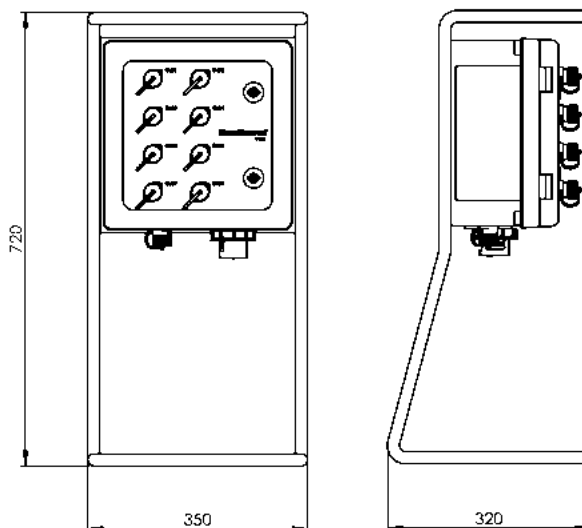


RT-LINK BOX



- For connecting more than one HVAC unit to one room thermostat
- Recommended for large tents where it is necessary to keep the required temperature of many HVAC units
- Up to 8 HVAC units can be connected to one RT-link
- Possible connection of 2 pcs. of RT-link in case there are more HVAC units
- The HVAC unit is connected to the RT-link with 20m cable

Dimensions in mm



RT-Link Box is compatible with:

- AC-M6
- AC-M7
- AC-M11
- AC-M18
- VA-M15 MKII
- VA-M40 MKII
- And also older Dantherm AC-M and VA-M units

Specifications	Units	RT Link Box
Registered NSN number		4120-22-639-2864
Power supply	V/Hz	230/1ph/50
Max current	A	16
Number of HVAC units possible to connect	pcs	8
Signal cable length/voltage in cable	m/V	20/24
Cable registered NSN number		6150-22-639-2360
Product size (h x l x w)	mm	720 x 350 x 316
Weight	kg	8

BC 121




BC 121
Patent (UV lamp included)

Optional accessories



Winter cover
4250.414



- Efficient and durable spot cooler for industrial applications
- Quiet running even with large air-flow
- Automatic swing function as standard
- Large water tank for longer operating hours
- Large, durable wheels with brakes allow easy movement
- Connect water hose or refill tank manually to offer comfort to your employees
- Corrosion-resistant plastic casing
- Air filter included to enable easy maintenance
- Remote control to easily adjust speed
- UV lamp, disinfecting the water
- Water level indicator

Specifications	Units	BC 121	
		Imperial	Metric
Cooling pad	ft ³ / dm ³	2,825	80
Air flow	CFM/m ³ /h	7.062	12.000
Loaded air flow	CFM/m ³ /h	4.708	8.000
Maximum area	ft ² /m ²	2.691	250
Power consumption	W	500	500
Power supply	V/Hz	220-240/1ph/50	220-240/1ph/50
Rated current	A	2,3	2,3
Water consumption	gal/h - l/h	2.11 to 2.64	8 to 10
Tank capacity	gal/l	15,85	60
Direct water connection	in	½	½
Tank level control		Yes	Yes
Sound level	dB(A)	67	67
Product size (l x w x h)	in/mm	41.3 x 23.62 x 57.48	1,050 x 600 x 1,460
Box size (l x w x h)	in/mm	44.1 x 26.77 x 65	1,120 x 680 x 1,650
Net/gross weight	lbs/kg	110/121	50/55
Pallet	pcs	1	1

BC 221



BC 221
Patent (UV lamp included)

Optional accessories



Winter cover
4250.415



- Efficient and durable spot cooler for industrial applications
- Quiet running even with large air-flow
- Automatic swing function as standard
- Large water tank for longer operating hours
- Large, durable wheels with brakes allow easy movement
- Connect water hose or refill tank manually to offer comfort to your employees
- Corrosion-resistant plastic casing
- Air filter included to enable easy maintenance
- Remote control to easily adjust speed
- UV lamp, disinfecting the water
- Water level indicator

Specifications	Units	BC 221	
		Imperial	Metric
Cooling pad	ft ³ / dm ³	4,238	120
Air flow	CFM/m ³ /h	12.948	22.000
Loaded air flow	CFM/m ³ /h	8.828	15.000
Maximum area	ft ² /m ²	3.552	330
Power consumption	W	800	800
Power supply	V/Hz	220-240/1ph/50	220-240/1ph/50
Rated current	A	3,7	3,7
Water consumption	gal/h - l/h	3.17 - 4.75	12 to 18
Tank capacity	gal/l	31,7	120
Direct water connection	in	½	½
Tank level control		Yes	Yes
Sound level	dB(A)	67	67
Product size (l x w x h)	in/mm	48.43 x 25.2 x 68.1	1,230 x 640 x 1,730
Box size (l x w x h)	in/mm	51.18 x 28.35 x 76	1,300 x 720 x 1,930
Net/gross weight	lbs/kg	141/152	64/69
Pallet	pcs	1	1

BC 341



BC 341
Patent (UV lamp included)

- Powerful air volume 30,000 m³/h to cool large working areas
- No installation, no duct work required
- Low running costs
- Easy to maintain
- Evaporative filter pads, blocking dirt
- UV lamp, disinfecting the water
- Low energy consumption
- Applications: Workshops and warehouses, plastic, glass, assembly and painting plants, agriculture, greenhouses and aircraft hangars

Optional accessories







Winter cover
4250.416

Specifications	Units	BC 341	
		Imperial	Metric
Cooling pad	ft ³ / dm ³	12,01	340
Air flow	CFM/m ³ /h	17.657	30.000
Loaded air flow	CFM/m ³ /h	13.537	23.000
Maximum area	ft ² /m ²	4.305	400
Power consumption	W	1.050	1.050
Power supply	V/Hz	220-240/1ph/50	220-240/1ph/50
Rated current	A	4,9	4,9
Water consumption	gal/h - l/h	2.64-3.96	10 to 15
Tank capacity	gal/l	52,83	200
Direct water connection	in	½	½
Tank level control		Yes	Yes
Sound level	dB(A)	70	70
Product size (l x w x h)	in/mm	66.54 x 36.22 x 75.2	1,690 x 920 x 1,910
Box size (l x w x h)	in/mm	39.37 x 70.87 x 82.68	1000 x 1,800 x 2,100
Net/gross weight	lbs/kg	287 /309	130/140
Pallet	pcs	1	1










ACCESSORIES

Thermostats and CO sensors

Illustration	Name	Code	Description	For products
	Remote thermostat for heating or cooling only	018668	Water and dust tight enclosure (IP 66), adjustable differential, 15 m connection cable	VA-M15 MKII, VA-M40 MKII, AC-M6, AC-M7 MKII w/o electric heating
	Thermostat for manual switch between cooling and heating	165341		AC-M6, AC-M7 MKII AC-M11, AC-M18 with heating,
	Thermostat for automatic switch between cooling and heating	064409		VA-M15 MKII, VA-M40 MKII, AC-M7 MKII, AC-M18, AC-M18 CBRN, AC-M11
	Digital remote thermostat TH-M	4035.555	15 m cable, digital	FH 20, FH 40
	Remote CO sensor	025432	15 m cable, hanging strap, power indicator, visible alarm	VA-M15 MKII, VA-M40 MKII, FH 20, FH 40



ACCESSORIES

Air duct systems

Illustration	Name	Code	Description	For products
Air duct system Ø225mm				
	Insulated flexible air duct - 3m	295030	Extremely UV resistant (desert conditions), anti-infrared, resistant to mechanical wear	AC-M7 MKII, VA-M15 MKII, VA-M40 MKII (with Ø225 air outlet),
	Non-insulated flexible air duct - 6m	295331		
	Storage bag for insulated 3m air duct	428436		
Air duct system Ø315mm				
	Insulated flexible air duct - 3m	562409	Extremely UV resistant (desert conditions), anti-infrared, resistant to mechanical wear, the air duct includes a storage bag	AC-M7 MKII (with Ø315 air outlet), AC-M11
	Non-insulated flexible air duct - 5m	428441		
	Non-insulated air distribution duct - 5m	428443		
	Non-insulated air distribution extension duct - 2m	428442		
	Insulated duct - 3m	095852		
	Uninsulated duct - 5m	428441		AC-M6
	Air distribution duct - 5m	428443		




ACCESSORIES

Air duct systems

Illustration	Name	Code	Description	For products
Air duct system Ø350mm				
	Insulated flexible air duct - 3m	4515.371	Nylon, black, UV resistant, resistant to mechanical wear	FH 20
	Non-insulated air distribution duct - 5m	4515.380	25mm holes in two rows - 18 holes every meter	
Air duct system Ø400mm				
	Insulated flexible air duct - 3m	4515.372	Nylon, black, UV resistant, resistant to mechanical wear	FH 40
	Non-insulated flexible air distribution duct - 7m	4515.381	25mm holes in two rows - 18 holes every meter	
	Insulated flexible air duct - 3m	030774	Extremely UV resistant (desert condition) anti infrared, the air duct includes a storage bag	AC-M18, AC-M18 CBRN
	Non-insulated flexible air duct - 5m	033223		
	Non-insulated air distribution duct - 6m	033224		

ACCESSORIES

Additional equipment for air heaters

Illustration	Name	Code	Description	For products
	Fuel lance for oil drum	293766		VA-M15 MKII, VA-M40 MKII
	Forklift pockets	4035.740		FH 20
		4035.738		FH 40
	Stacking frame	4035.741		FH 20
		4035.739		FH 40

Additional equipment for air-conditioners

Illustration	Name	Code	Description	For products
	Trap door system	322007		AC-M5 MKI
		322040		AC-M5 MKII
	Trap door frame	322048		AC-M10
	Door and mounting kit	322049		AC-M10
	Welding frame for corrugated container	111536		AC-M10
		019502		AC-M5 MKI, AC-M5 MKII
	Filter F7	068532	ePM1 60%	AC-M11
		090973		AC-M18, AC-M18 CBRN
	HEPA filter	323041	Can be fitted with H13 or H14 filters, up to four filters can be used in the air stream, flexible air duct connection diameter 400mm	AC-M18, AC-M18 CBRN
	Trolley with wheels	068459	In situations and sites where no forklift is available, the wheel solution enables rapid and easy deployment of the environment control systems.	AC-M11
		075770		AC-M18, AC-M18 CBRN
	Winter cover	4250.414		BC 121
		4250.415		BC 221
		4250.416		BC 341

DANTHERMGROUP

DENMARK

Dantherm Denmark A/S
DK-7800 Skive
+45 96 14 37 00
sales.dk@danthermgroup.com

GERMANY

Trotec GmbH
52525 Heinsberg
+49 2452 962-0
vertrieb.de@danthermgroup.com

FRANCE

Dantherm Group SAS
69694 Vénissieux Cedex
+33 4 78 47 11 11

67850 Herrlisheim
+33 3 90 29 48 18
sales.fr@danthermgroup.com

SPAIN

Dantherm Group SP SAU
28108 Alcobendas, Madrid
+34 91 661 45 00

46980 Paterna, Valencia
+34 961 524 866
sales.es@danthermgroup.com

UNITED KINGDOM

Dantherm Group Ltd
Maldon CM9 4XD
+44 (0)1621 856611
sales.uk@danthermgroup.com

ITALY

Dantherm Group S.p.A.
37010 Pastrengo (VR)
+39 045 6770533
sales.it@danthermgroup.com

POLAND

Dantherm Group Sp. z o.o.
62-023 Gądki
+48 61 65 44 000
sales.pl@danthermgroup.com

NORWAY

Dantherm Group AS
3138 Skallestad
+47 33 35 16 00
sales.no@danthermgroup.com

SWEDEN

Dantherm Group AB
602 13 Norrköping
+46 (0)11 19 30 40
sales.se@danthermgroup.com

SWITZERLAND

Dantherm Group AG
CH-5405 Baden Dättwil
+41 43 500 00 50
sales.ch@danthermgroup.com

Sales contact:

Dantherm Denmark A/S
Marienlystvej 65
DK-7800 Skive Denmark
t. +45 96 14 37 00

info.mhc@danthermgroup.com

KEEP UPDATED
FOLLOW US ON:



danthermgroup.com